

MEANGREEN

M O W E R S

RIVAL PARTS MANUAL

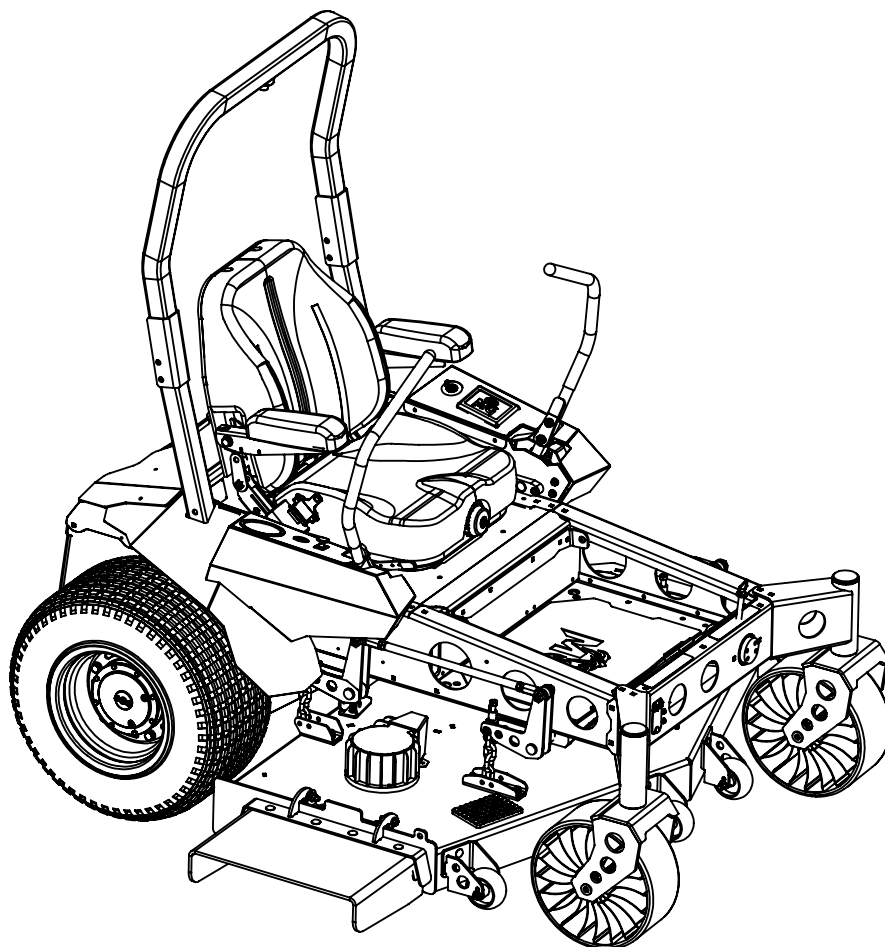
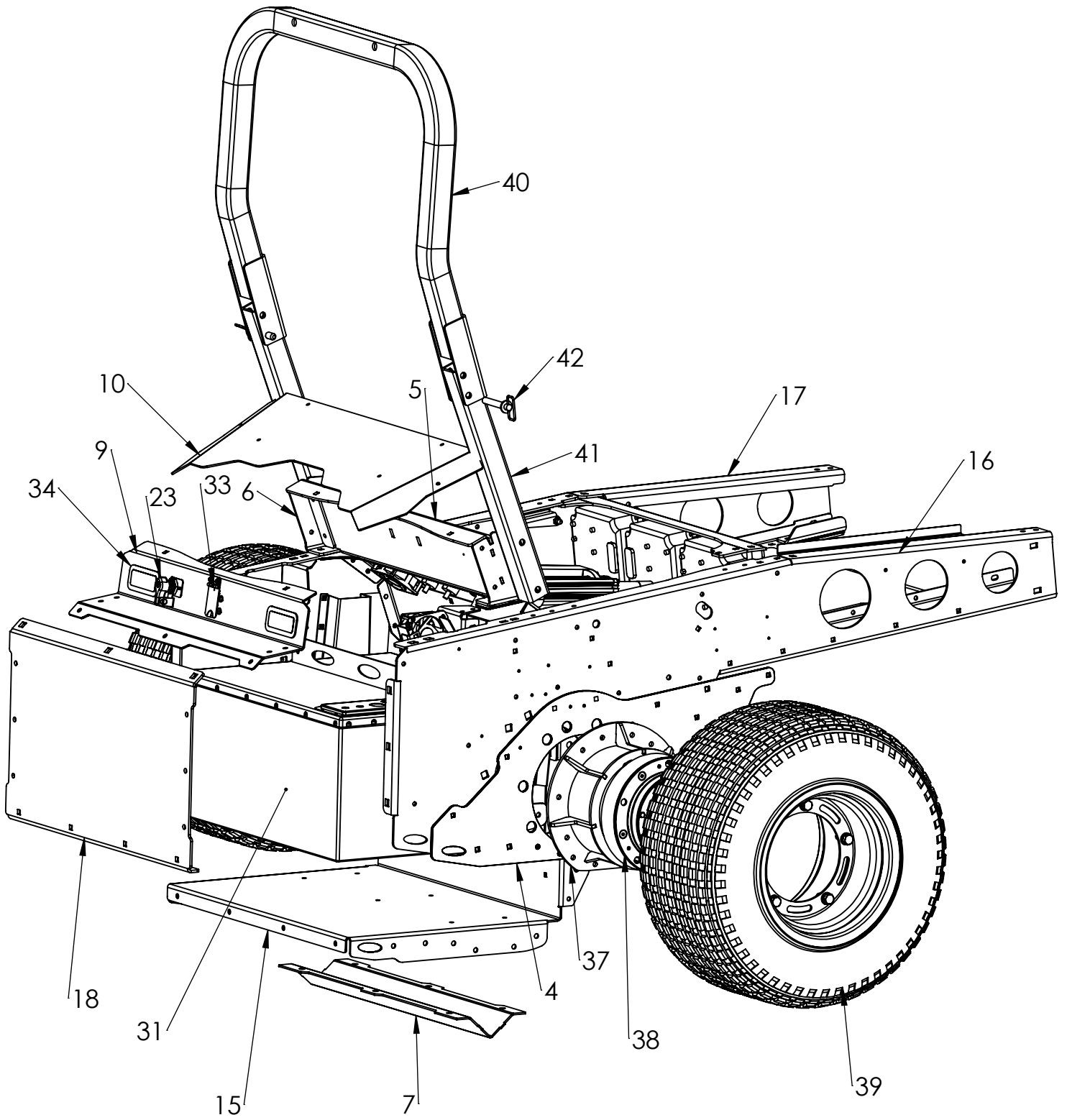
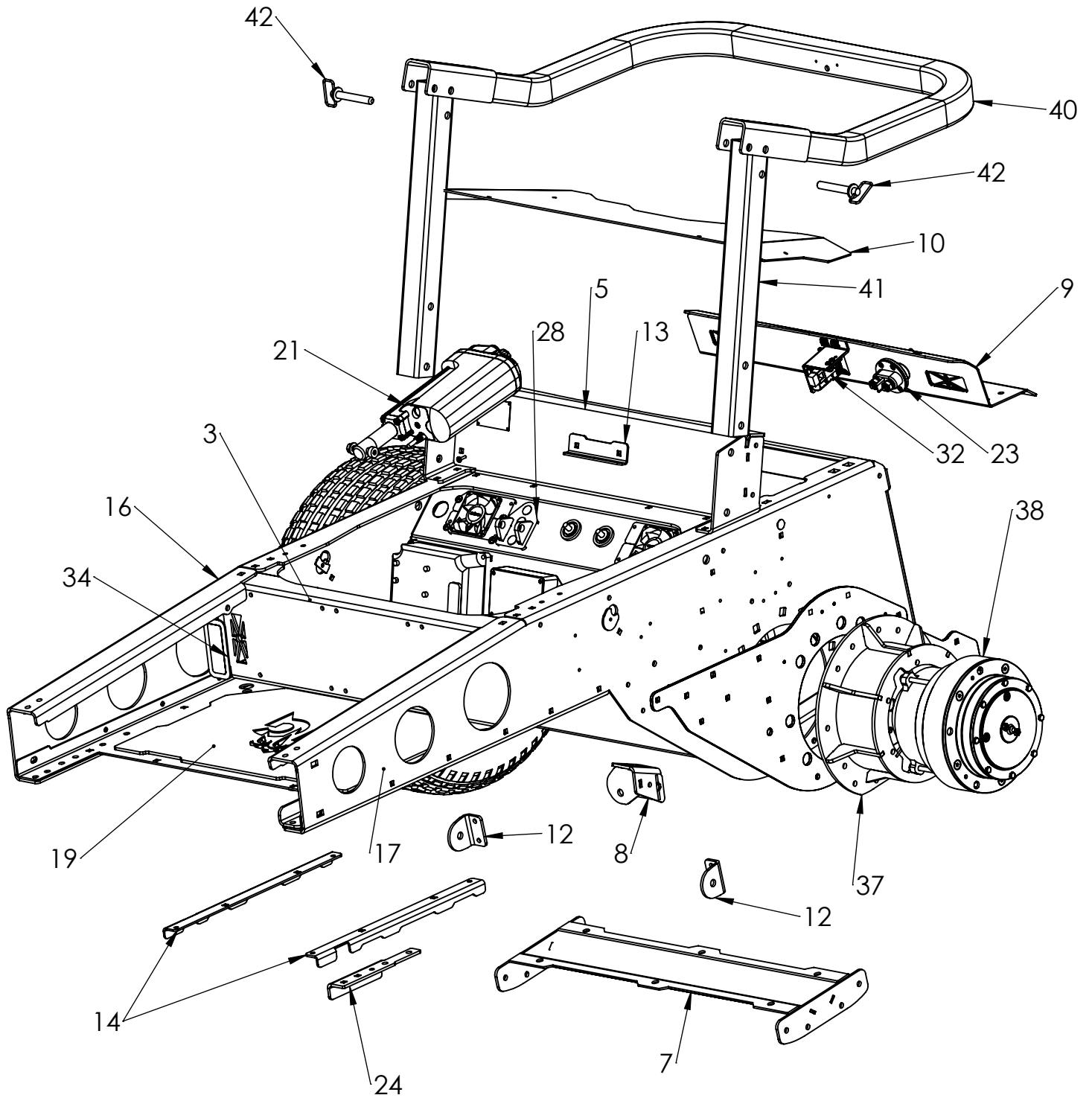
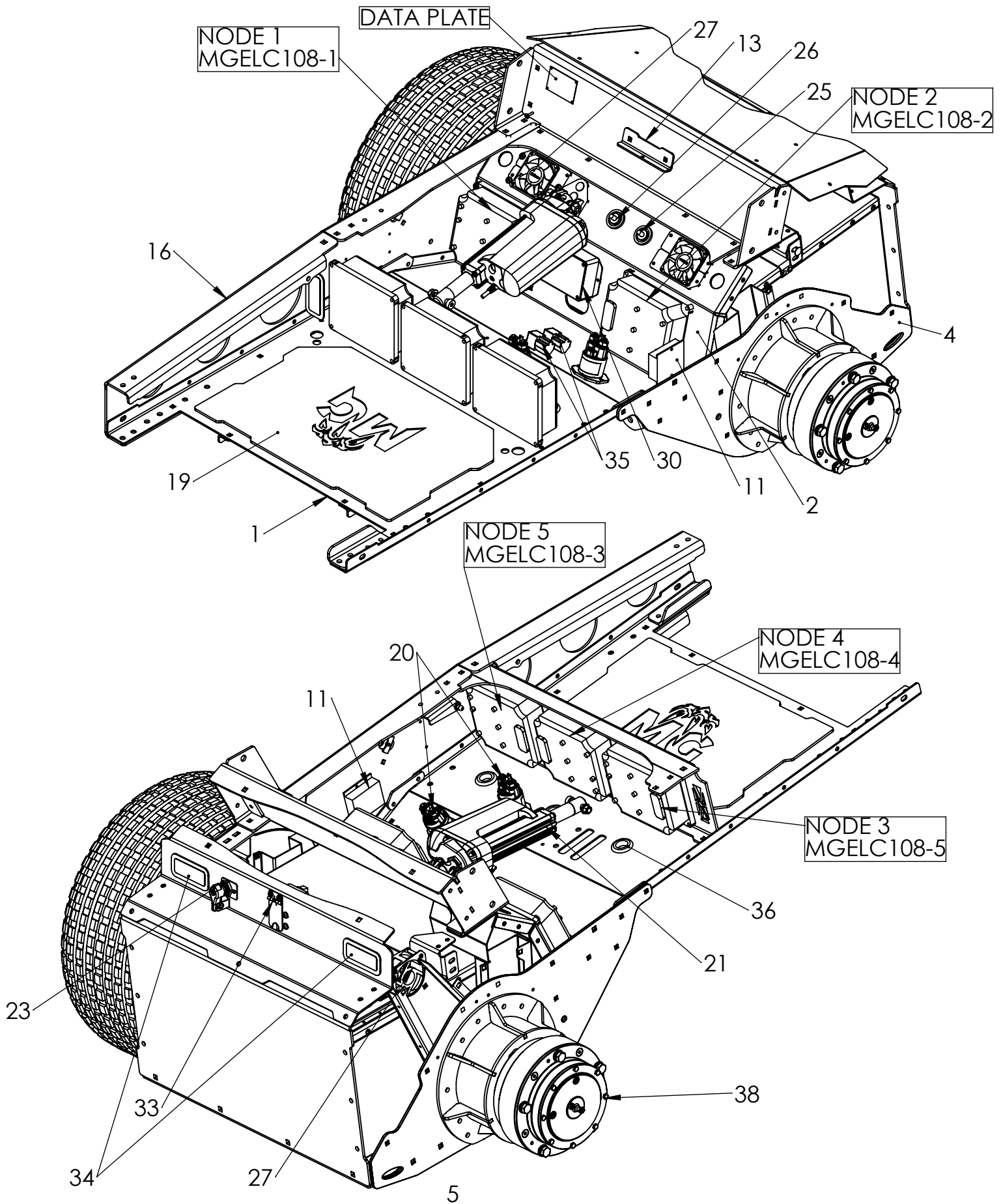


Table of Contents

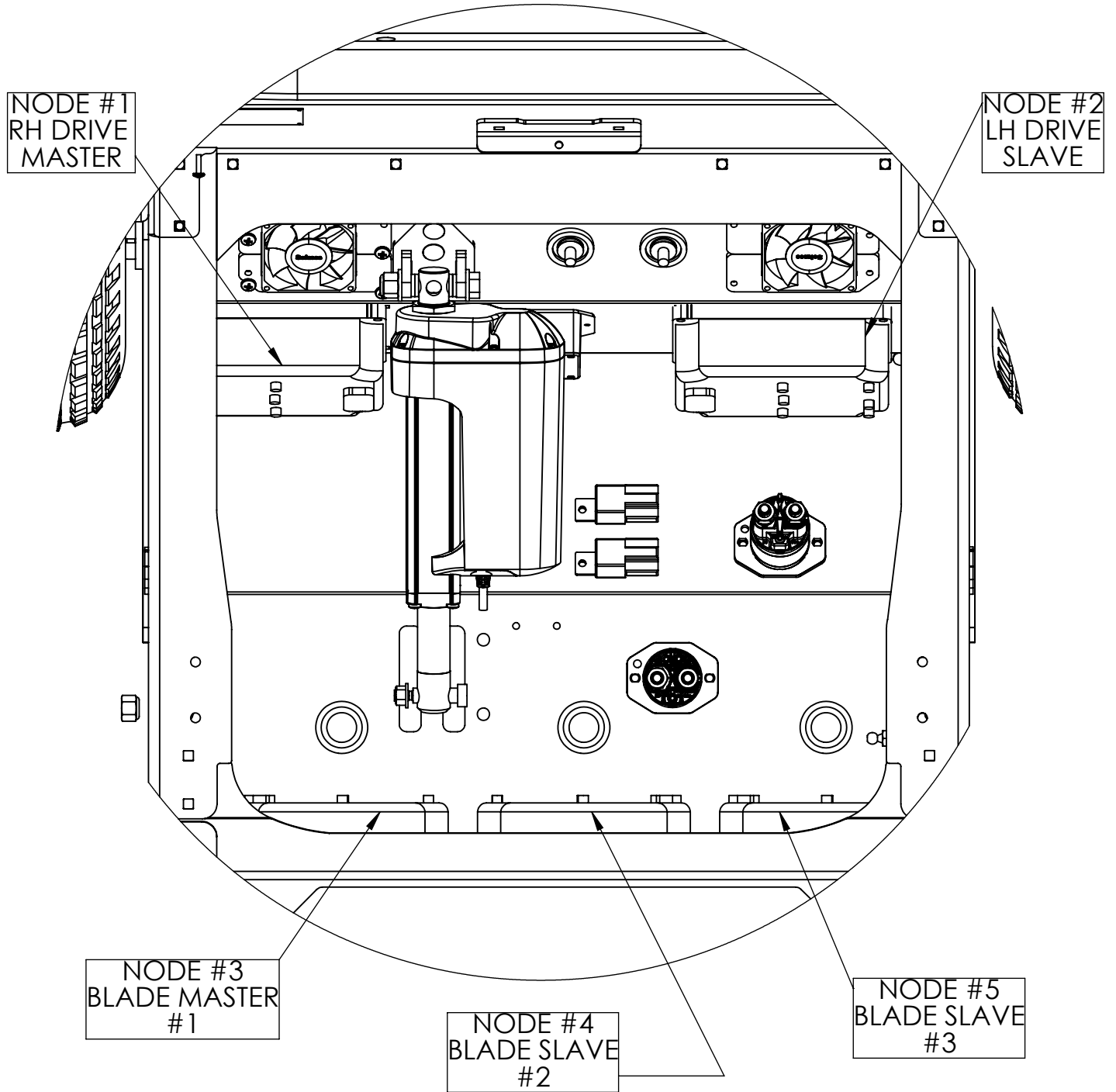
- **MAIN FRAME/DRIVES..... 3-8**
- **FRONT BEAM..... 9-11**
- **FOOT PAD..... 12-13**
- **SEAT PAN..... 14-15**
- **CONTROL PANELS..... 16-17**
- **CONTROLS.....18-23**
- **CHARGE PORT..... 24**
- **52RD DECK..... 25-28**
- **52SD DECK.....29-32**
- **60RD DECK.....33-36**
- **60SD DECK.....37-40**
- **DECK MOUNTING.....41-42**
- **ATTACHMENTS..... 43-46**
- **LEM 48444 BATTERY.....47-48**





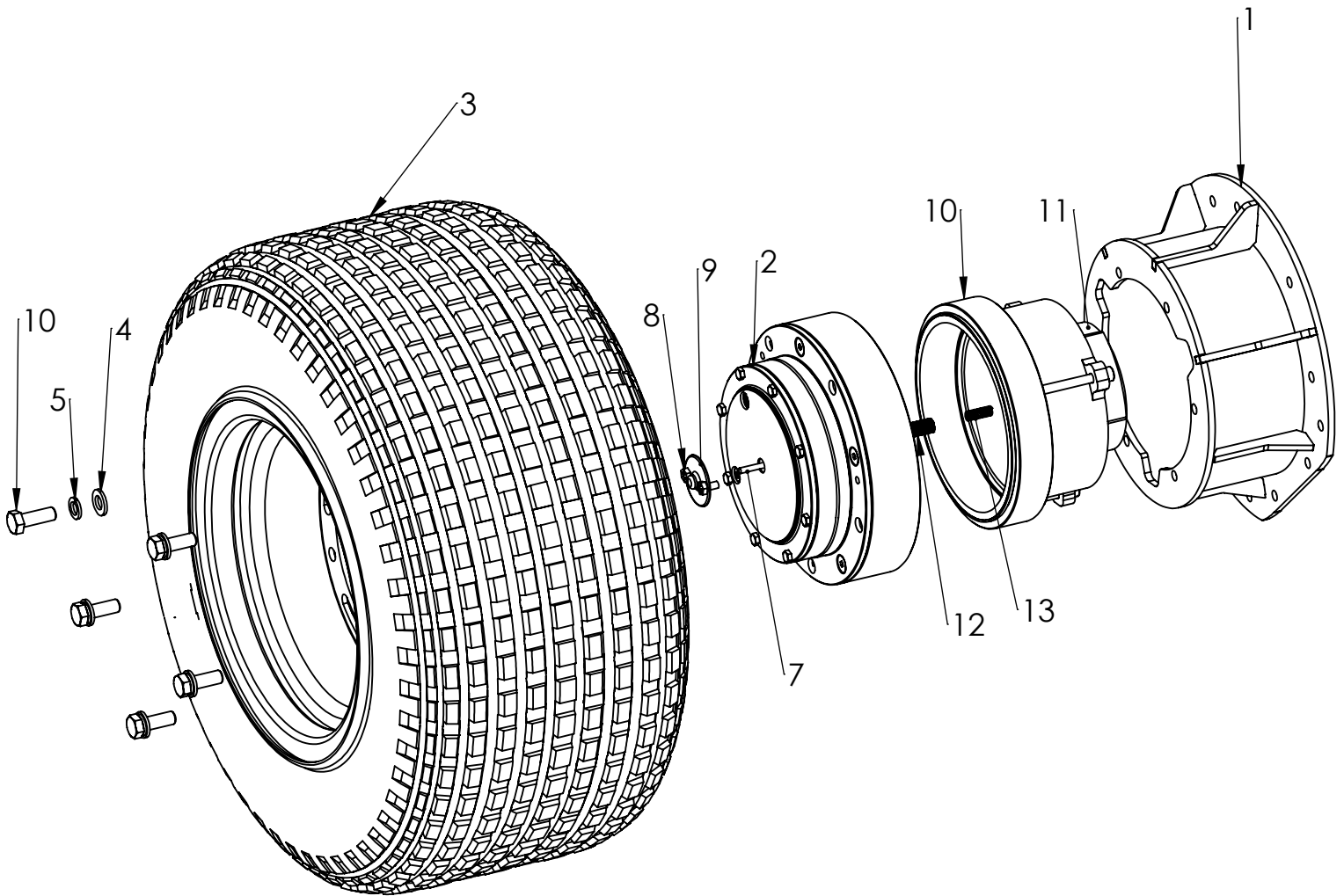


REAR OF MOWER

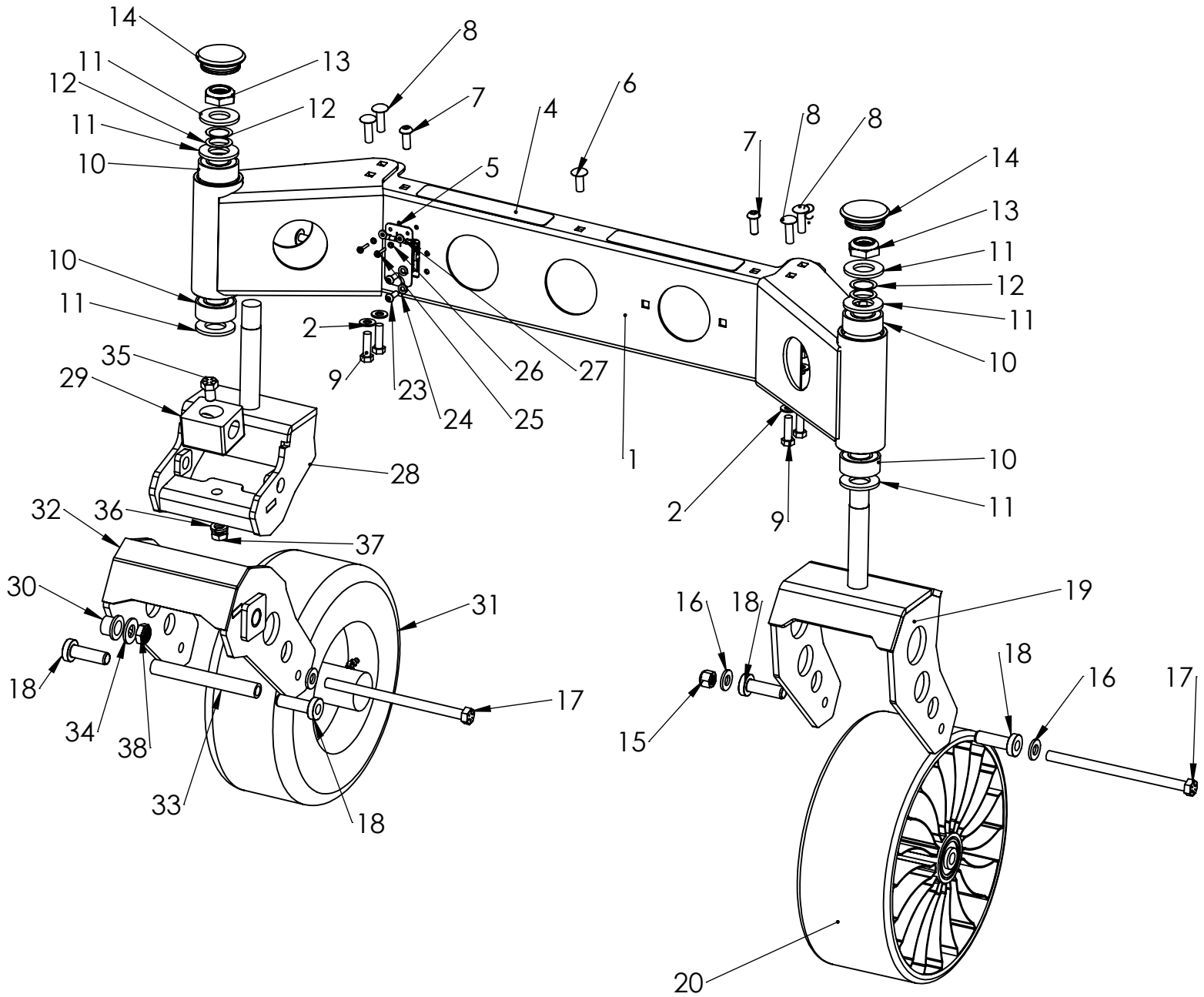


FRONT OF MOWER

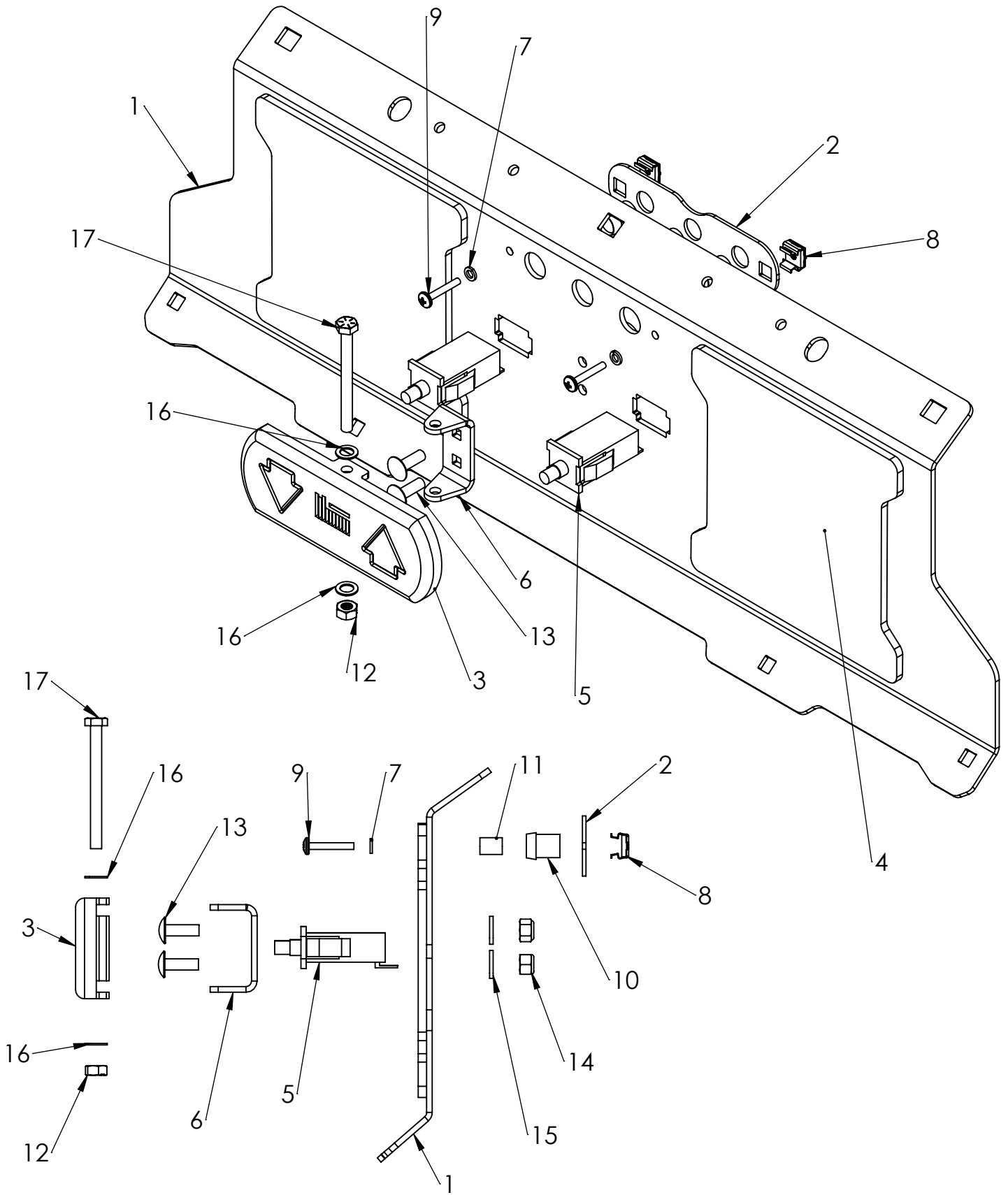
ITEM NO.	PART NUMBER	QTY.	DESCRIPTION
1	MGRVL002	1	CHASSIS FLOOR
2	MGRVL004	2	REAR BULK HEAD-BOTTOM
3	MGRVL014	1	FRONT BULK HEAD
4	MGRVL024	2	DOUBLER PLATE
5	MGRVL017	1	REAR UPPER BULKHEAD
6	AMGRVL16/AMGRVL017	2	BULK HEAD TIE PLATE
7	AMGRVL09	1	BATTERY FLOOR SUPPORT
8	AMGRVL18	1	CROSS STABILIZER MOUNT CHASSIS
9	MGRVL011	1	E-STOP/CHARGE PORT PLATE
10	MGRVL009	1	BATTERY HOOD
11	MGELC047	1	12v CONVERTER
12	MGRVL039	2	STABILIZER MOUNT-BULK HEAD
13	MGEVO026	1	SEAT LOCKING PLATE CATCH
14	MGRVL051	2	FLOOR STIFFENER
15	MGRVL001	1	BATTERY FLOOR
16	MGRVL016	1	FRAME RAIL-RIGHT SIDE
17	MGRVL019	1	FRAME RAIL-LEFT HAND SIDE
18	MGRVL008	1	BACKPLATE
19	MGUPN292-01	1	RVL ANTI SLIP MAT
20	MGELC105	2	48V RELAY
21	MGELC059	1	LA36 ACTUATOR-4" STROKE
23	MGELC115	1	ON/OFF BATTERY SWITCH
24	MGRVL070	1	PILLOW BLOCK SPACER-FRONT
25	MGELC036	1	POSITIVE FEED THROUGH TERMINAL
26	MGELC037	1	NEGATIVE FEED TERMINAL
27	MGELC114	3	48V COOLING FAN
28	AMGRVL19	1	ACTUATOR MOUNT W
30	MGELC118-2	1	DECK ADJ. CONTROL BOX
31	AMGBAT05	1	48V 444Ah RIVAL BATTERY
32	MGELC106	1	SAFETY PLUG IN SWITCH
33	MGUPN034	1	CHARGE PORT COVER
34	MGUPN384	3	4.375X2 AIR FILTER
35	MGELC104	2	48V 40A RELAY
36	MGUPN028	1	1" RUBBER GROMMET
37	AMGRVL07 / AMGRVL08	2	DRIVE MOUNT-BASE FLANGE
38	AMGUPN57	2	IMPULSE DRIVE ASSEMBLY
39	MGUPN340	2	24IN TIRE 14IN RIM
40	MGUPN303	1	RIVAL ROPS-UPPER
41	MGUPN304	2	RIVAL ROPS-LOWER
42	MGUPN413	2	ROPS PIN

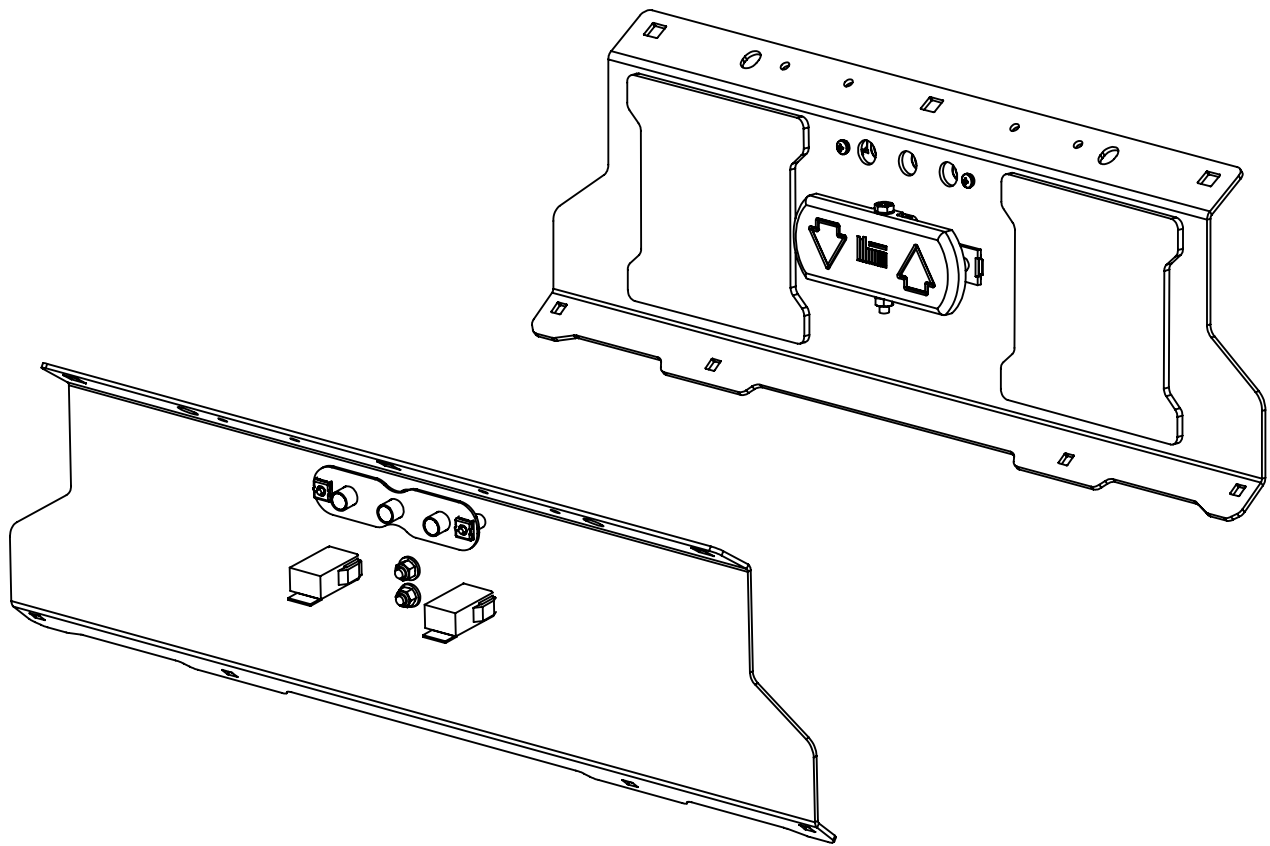


ITEM NO.	PART NUMBER	QTY.	DESCRIPTION
1	AMGRVL07 / AMGRVL08	1	DRIVE MOUNT-BASE FLANGE
2	MGUPN363	1	IMPULSE DRIVE GEARBOX
3	MGUPN340	1	24IN TIRE 14IN RIM
4	MGHDW231	5	M12 FLAT WASHER
5	MGHDW232	5	M12 SPLIT WASHER
10	MGHDW176	5	M12X1.5X35mm HHCS
7	MGUPN427	1	IMPULSE GEARBOX DISENGAGE PIN
8	MGHDW100	1	1/4-20x1/2 FT HHCS
9	MGUPN402	1	IMPULSE BRAKE DISENGAGE PLATE
10	MGELC095	1	IMPULSE DRIVE MOTOR
11	MGUPN426	1	IMPULSE DRIVE BRAKE
12	MGUPN426-2	1	IMPULSE DRIVE BRAKE SHAFT
13	MGUPN426-1	1	EVO DRIVE BRAKE SPRING

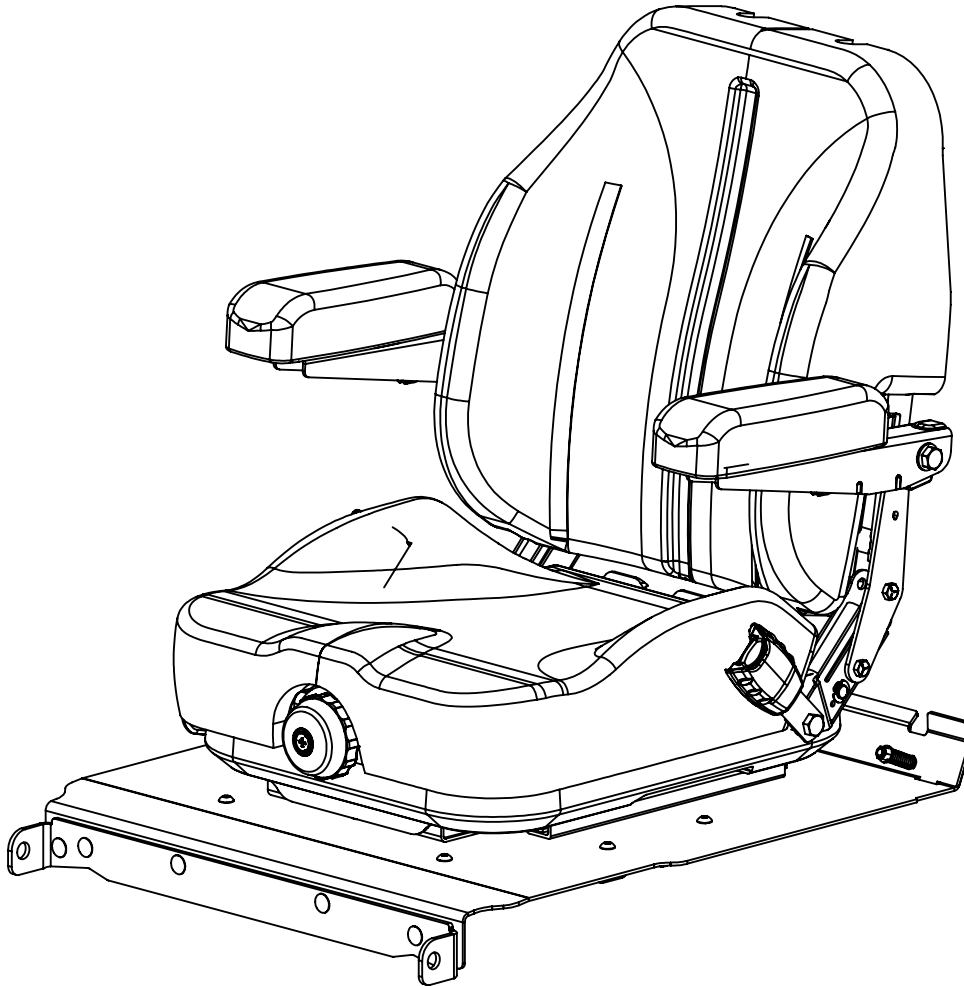


ITEM NO.	PART NUMBER	QTY.	DESCRIPTION
1	AMGRVL14	1	FRONT BEAM-MAIN BODY
2	MGHDW202	19	3/8 FLAT WASHER
3	MGHDW305	15	3/8-16 NYLOCK
4	MGUPN348	2	UPPER RAIL FLOOR GRIP
5	MGUPN034	1	CHARGE PORT COVER
6	MGHDW703	5	3/8-16x1.00 CB
7	MGHDW602	2	3/8-16x1.0 BSCS
8	MGHDW705	4	3/8-16x1.25 CB
9	MGHDW121	4	3/8-16x1-1/4 FT HHCS
10	MGUPN386	4	1" SPINDLE BEARING
11	MGHDW209	6	1.00 FLAT WASHER
12	MGHDW229	4	1" SPRING WASHER
13	MGHDW313	2	1.00-8 HNL
14	MGUPN090	2	PLASTIC SPINDLE CAP
15	MGHDW320	2	1/2-13 NYLOCK
16	MGHDW210	4	1/2 FLAT WASHER
17	MGHDW167	2	1/2-13x8.00 PT HHCS
18	MGUPN128	4	5/16" YOKE SPACER
19	AMGEVO18	2	RVL FIXED YOKE ASSEMBLY
20	MGUPN153	1	13x5-3/4 FRONT TWEEL
21	MGHDW309	2	#8-32x0.93-0.126 CAGE NUT
22	MGHDW315	2	1/4-20x0.093-0.126 CAGE NUT
23	MGHDW605	1	1/4-20x3/4 BSCS
24	MGHDW213	2	1/4 LOCK WASHER
25	MGHDW502	1	#8-32x3/4 PHP
26	MGHDW206	1	#8 LOCK WASHER
27	MGHDW218	1	#8 FLAT WASHER
28	AMGYKE11	2	RVL SUSPENSION YOKE WITH 6IN BOLT W
29	MGUPN025	1	SQUARE BUMPER (MILLED 1/4" OFF TOP)
30	MGUPN201	2	0.75 IDx0.9375 ODx0.75 FLANE BEARING
31	MGUPN202	1	13x5.00-6-3.25 NO FLAT
32	MGYKE006	1	FRONT COVER
33	MGUPN200	1	SPANNER-3/4 O.D. x 1/2 I.D. x 6.03 LG
34	MGHDW221	2	5/8 FLAT WAHSER
35	MGHDW173	1	1/2-13x3/4 FT HHCS, GR8 YZP
36	MGHDW216	1	1/2" LOCK WASHER
37	MGHDW323	1	1/2-13 JAM NUT
38	MGHDW328	2	5/8-11 HALF NYLOCK

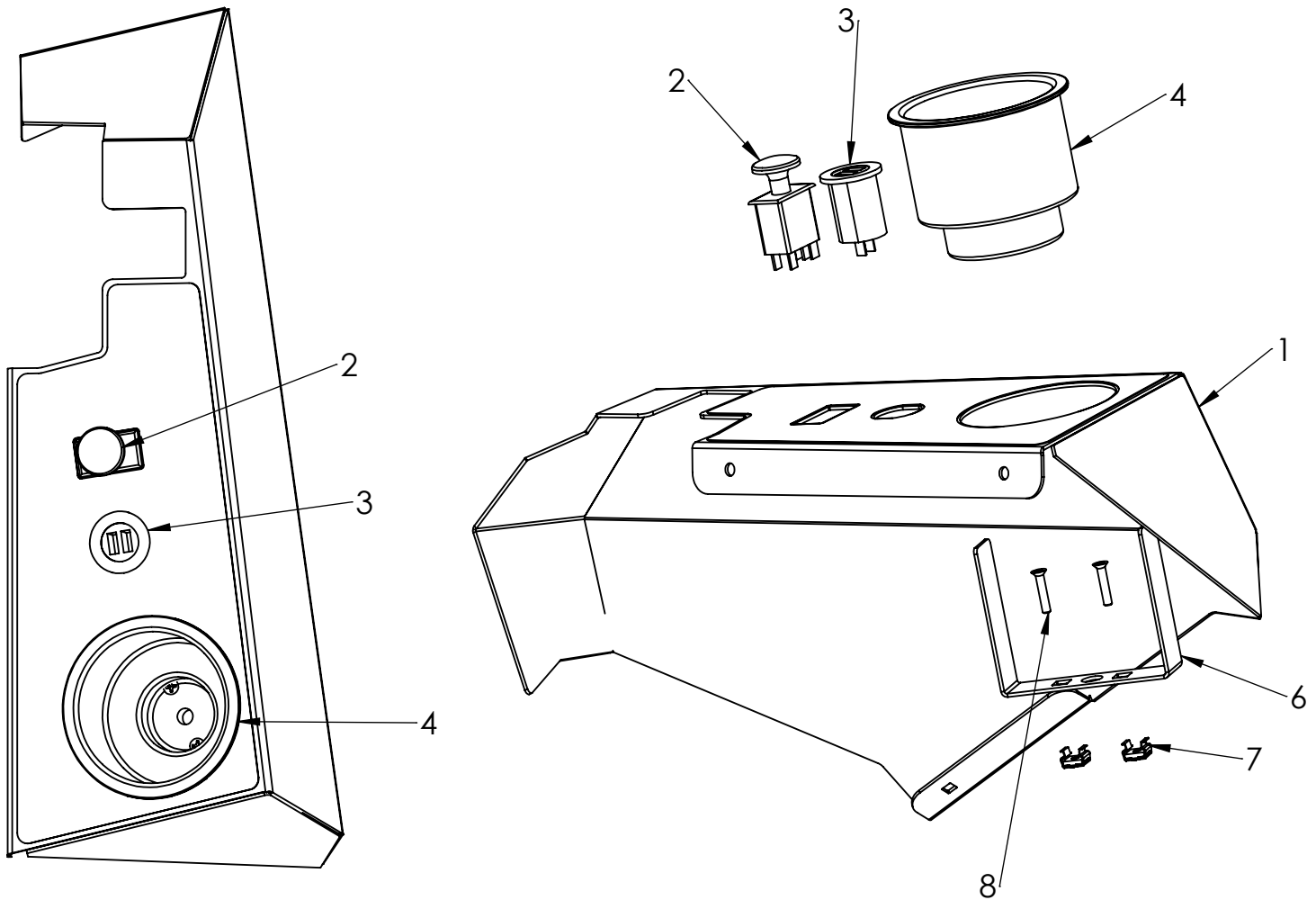




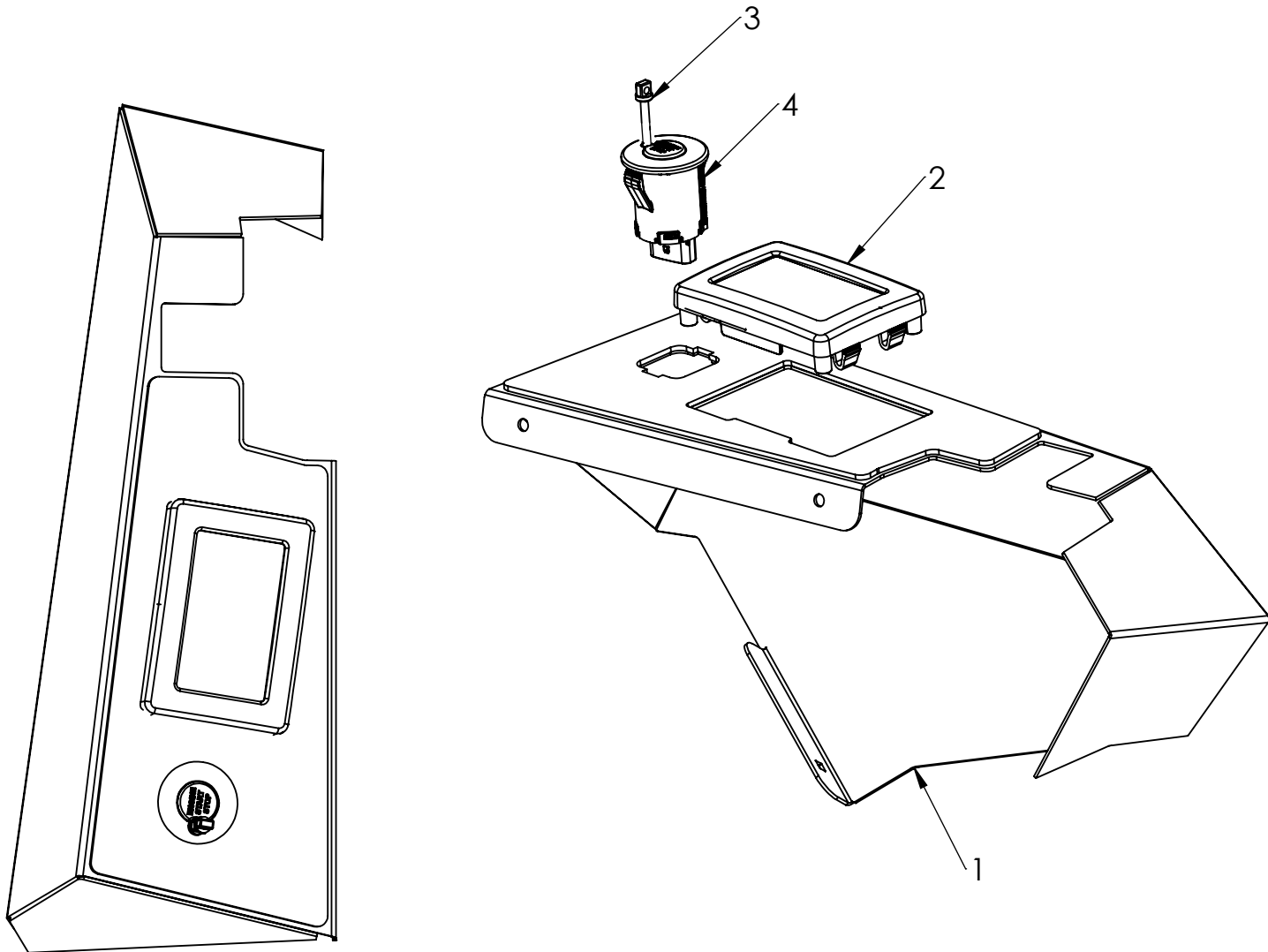
ITEM NO.	PART NUMBER	QTY.	DESCRIPTION
1	MGRVL003	1	FOOT PAD
2	MGCXR077	1	LIGHT INDICATOR PLATE
3	MGUPN089	1	PLASTIC-FOOT PEDAL DECK LIFT SYSTEM
4	MGUPN292-02	2	GRIP TAPE
5	MGELC030	2	WBX/BLOWER SAFETY SWITCH (BLACK/GRAY)
6	MGMUP025	1	MOUNT-PEDAL
7	MGHDW208	2	#10 LOCK WASHER
8	MGHDW312	2	#10-32x0.093-0.126 CAGE NUT
9	MGHDW503	2	#10-32x1.00 PAN HEAD PHILIPS
10	MGELC031	3	LED LIGHT POD
11	MGHDW401	2	#8x1/2 NYLON SPACER
12	MGHDW325	1	1/4-20 TOP LOCK
13	MGHDW700	2	1/4-20x0.75 CB
14	MGHDW303	2	1/4-20 NYLOCK
15	MGHDW200	2	1/4 FLAT WASHER
16	MGHDW205	2	1/4x1/2 O.D. NYLON WASHER
17	MGHDW166	1	1/4-20x2-3/4 PT HHCS



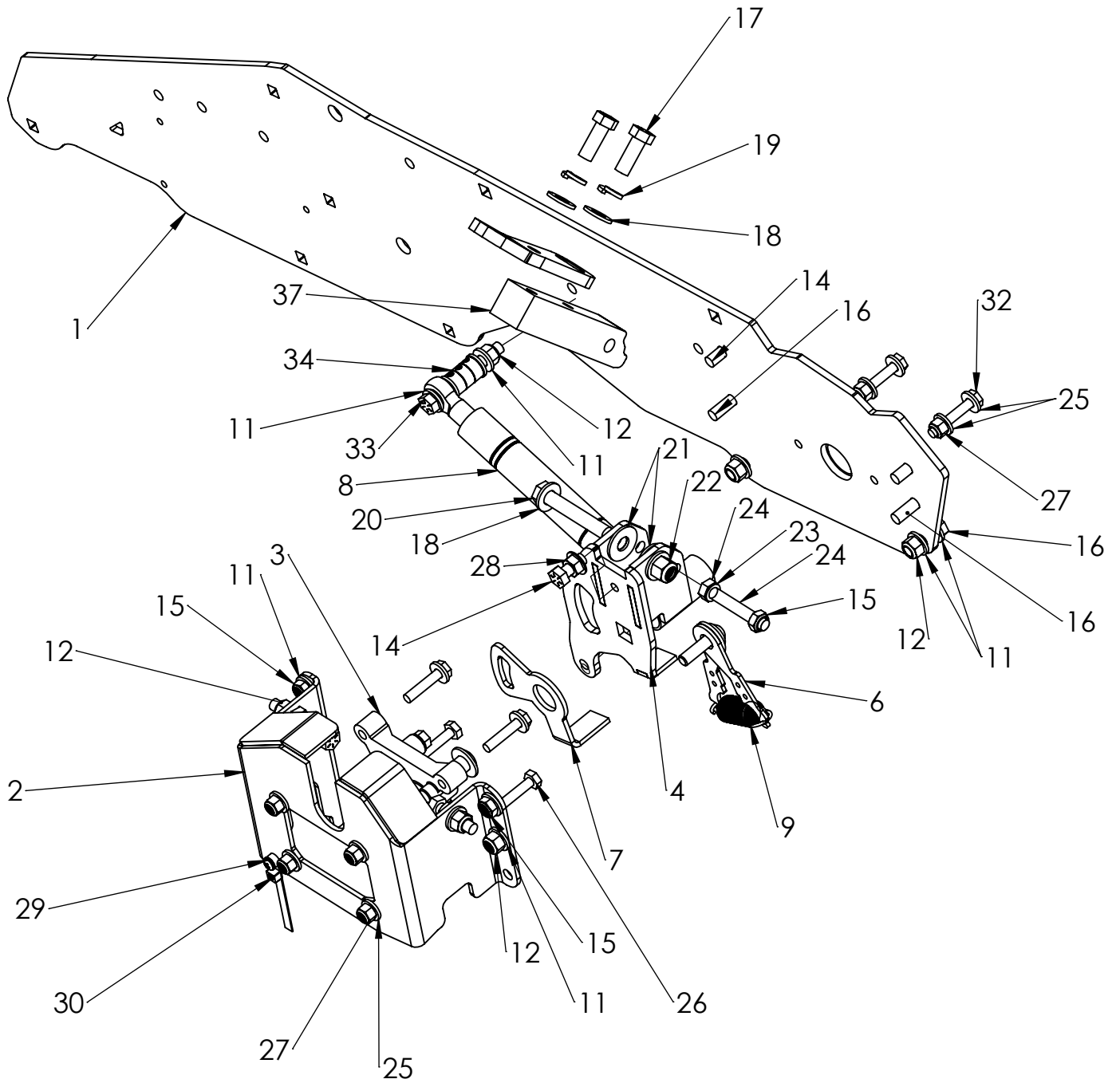
ITEM NO.	PART NUMBER		DESCRIPTION
1	MGUPN323	1	HIGH BACK SUSPENSION SEAT
2	MGRVL026	1	SEAT PAN
3	MGEVO086	2	GAS SHOCK BRACKET
4	MGRVL018	2	SEAT PAN STIFFENER
5	MGRVL050	1	SEAT HINGE-UPPER
6	MGRVL052	1	SEAT LOCKING PLATE
7	MGHDW106	2	1/4-20x2 PT HHCS
8	MGHDW616	6	.3125-18X .75 BH
9	MGHDW201	12	5/16 FLAT WASHER
10	MGHDW304	8	5/16-18 NYLOCK
11	MGHDW319	4	3/16-18 TOP LOCK
12	MGUPN126	2	SPRING FOR SEAT LATCH
13	MGHDW200	2	1/4 FLAT WASHER
14	MGHDW303	2	1/4-20 NYLOCK
15	MGUPN028	1	RUBBER GROMMET-1"
16	MGHDW706	2	5/16-18x3/4 CB
17	MGHDW706	4	5/16-3/4

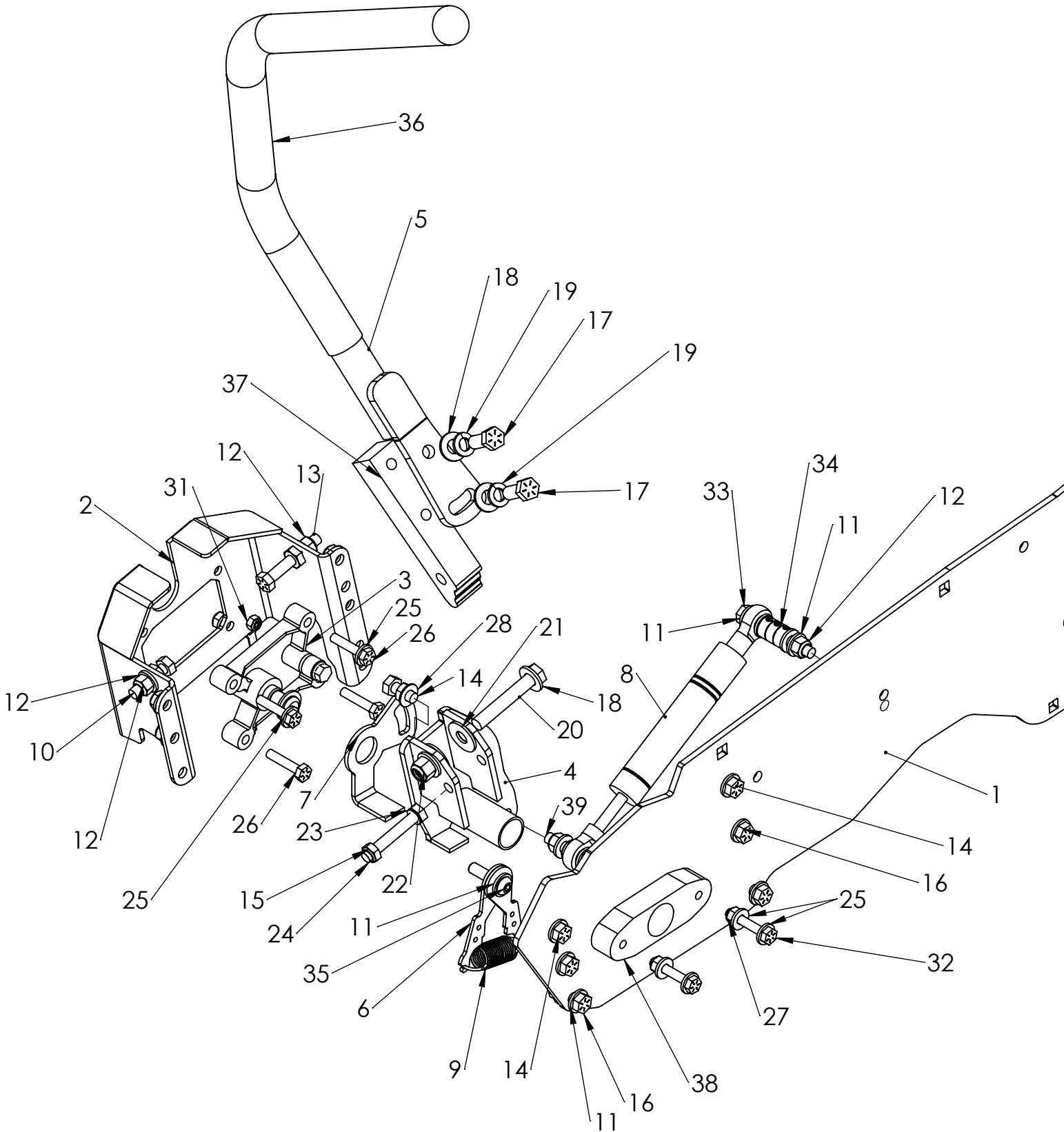


ITEM NO.	PART NUMBER	QTY.	DESCRIPTION
1	AMGRVL03	1	CONTROL PANEL W
2	MGELC009	1	PTO SWITCH
3	MGELC038	1	USB PORT
4	MGUPN043	1	CUP HOLDER
6	MGMUP030	1	CUP HOLDER CLAMP
7	MGHDW312	2	#10-32x0.093-0.126 CAGE NUT
8	MGHDW512	2	#10-32x1.00 FLAT HEAD PHILIPS



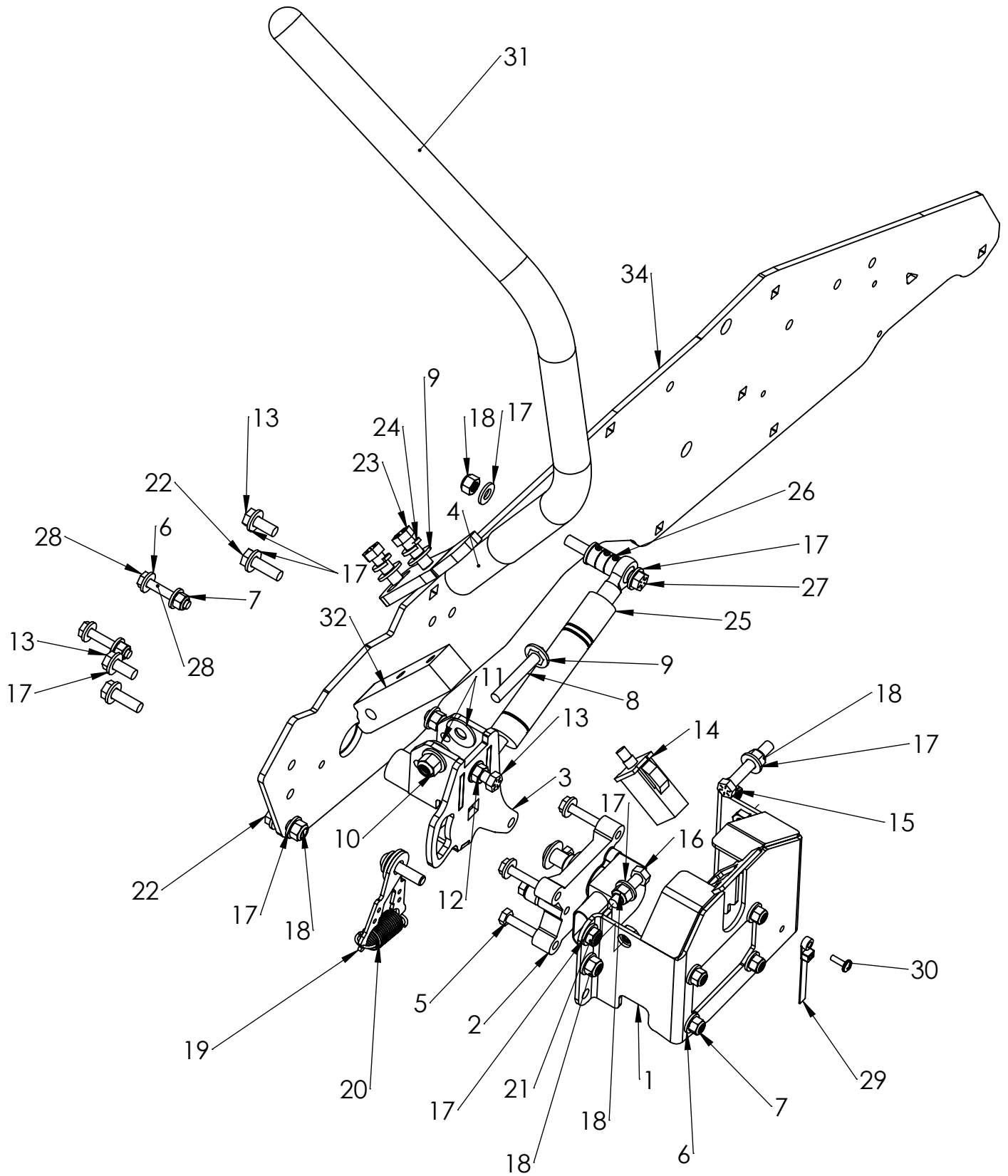
ITEM NO.	PART NUMBER	QTY.	DESCRIPTION
1	AMGRVL02	1	CONTROL PANEL-LEFT SIDE
2	MGELC117	1	TOUCH SCREEN DISPLAY
3	MGELC116-1	1	POWER PULL FOB
4	MGELC116	1	PUSH BUTTON ON/OFF

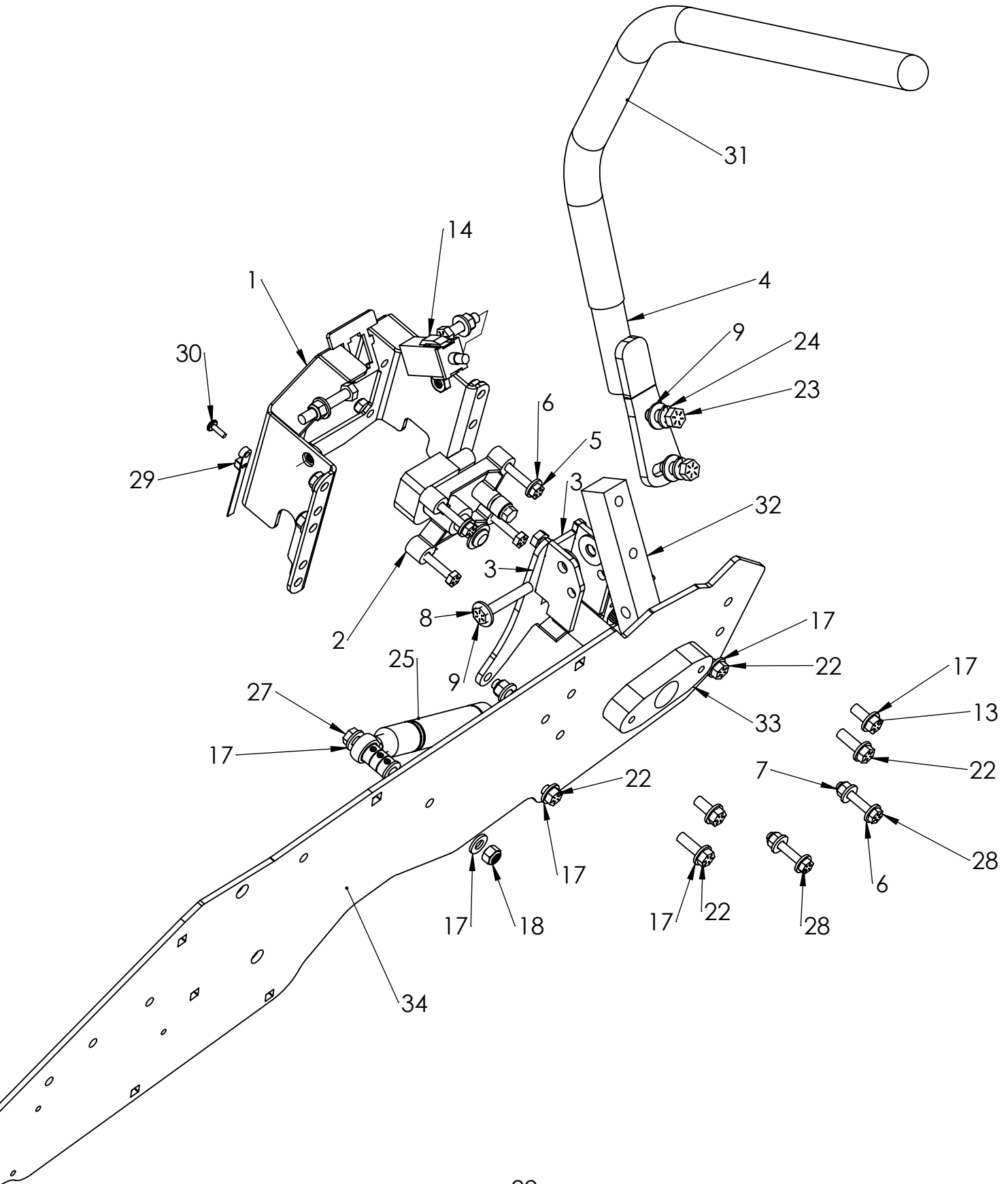




RVL RIGHT CONTROLS BOM

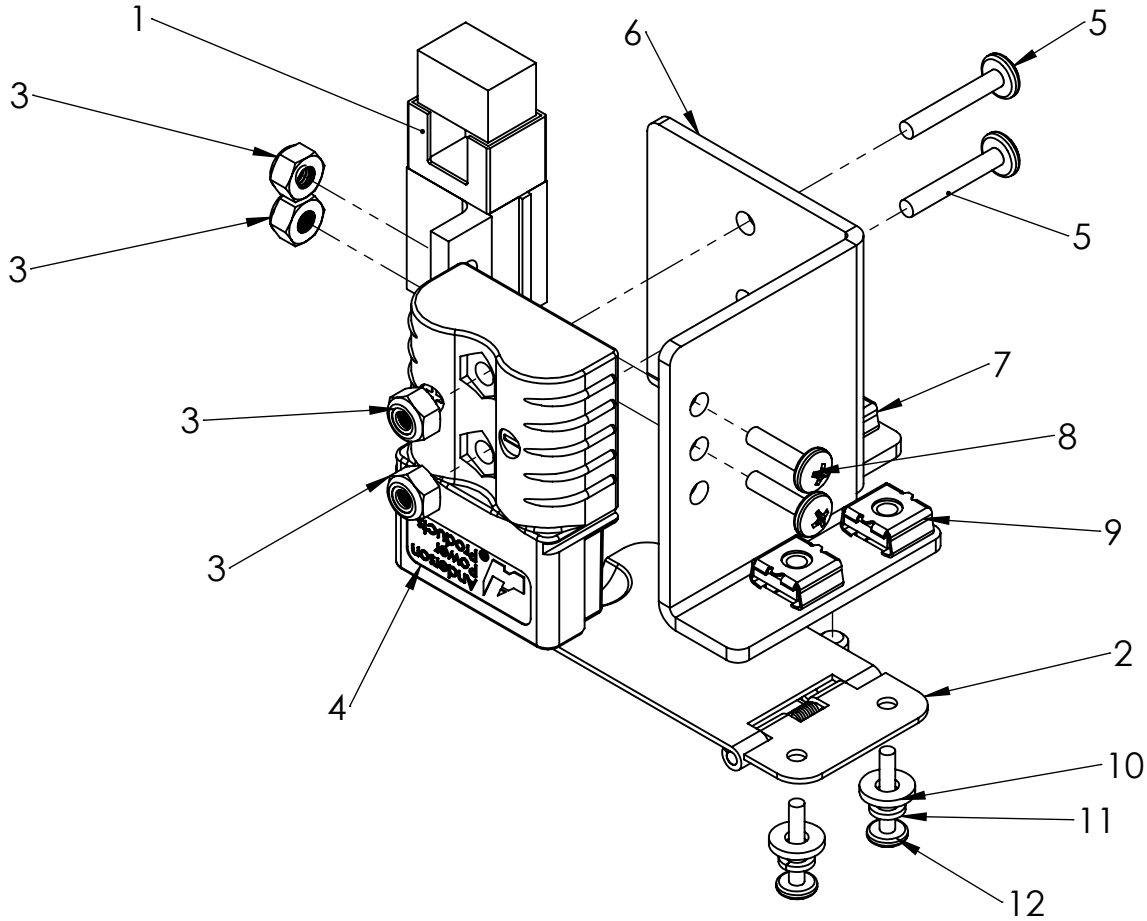
ITEM NO.	PART NUMBER	QTY.	DESCRIPTION
1	MGRVL074	1	CONTROL MOUNT PLATE
2	AMGMUP01	1	RTN MOUNT-LEFT HAND SIDE
3	MGELC069	1	RTN-RIGHT HAND SIDE
4	AMGRVL05	1	RIGHT HANDLE BASE
5	AMGRVL06	1	CXR HANDLE BAR
6	MGUPN046	2	HYDRO GEAR SPRING ARM
7	MGMUP017	1	RTN Neutral Stop
8	MGUPN048	1	DAMPENER FOR CONTROLS
9	MGUPN047	1	HYDRO GEAR SPRING
10	MGHDW111	1	5/16-18x1-1/4 FT HHCS
11	MGHDW201	21	5/16 FLAT WASHER
12	MGHDW304	8	5/16-18 NYLOCK
13	MGHDW163	1	5/16-18x2.00 FT HHCS
14	MGHDW109	3	5/16-18x3/4 FT HHCS
15	MGHDW302	3	5/16-18 HALF NYLOCK
16	MGHDW110	4	5/16-18x1.00 FT HHCS
17	MGHDW120	2	3/8-16x1.00 FT HHCS
18	MGHDW202	4	3/8 FLAT WASHER
19	MGHDW204	2	3/8 LOCK WASHER
20	MGHDW126	1	3/8-16x2-1/4 PT HHCS
21	MGHDW203	2	3/8x1.00 O.D. NYLON FLAT WASHER
22	MGHDW305	1	3/8-16 NYLOCK
23	MGHDW205	1	1/4x1/2 O.D. NYLON WASHER
24	MGHDW114	1	5/16-18x2.00 PT HHCS, GR8 YZP
25	MGHDW200	10	1/4 FLAT WASHER
26	MGHDW103	4	1/4-20x1-1/4 PT HHCS
27	MGHDW303	6	1/4-20 NYLOCK
28	MGHDW300	1	5/16-18 FLANGE NUT
29	MGHDW500	1	#10-32-1/2 PAN HEAD PHILIPS
30	MGUPN049	1	ZIP TIE
31	MGHDW308	1	#10-32 NYLOCK
32	MGHDW104	2	1/4-20x1-1/2 PT HHCS, GR8 YZP
33	MGHDW116	1	5/16-18x2-1/2 PT HHCS
34	MGHDW400	4	5/16x5/8 SHAFT COLLAR
35	MGHDW600	1	5/16-24 X 1-1/4 BSCS
36	MGUPN147	1	HANDLE BAR GRIPS
37	MGUPN248	1	CONTROL HANDLE BLOCK
38	MGUPN264	1	CONTROL BUSING BLOCK
39	MGHDW112	1	5/16-18x1-1/2 PT HHCS



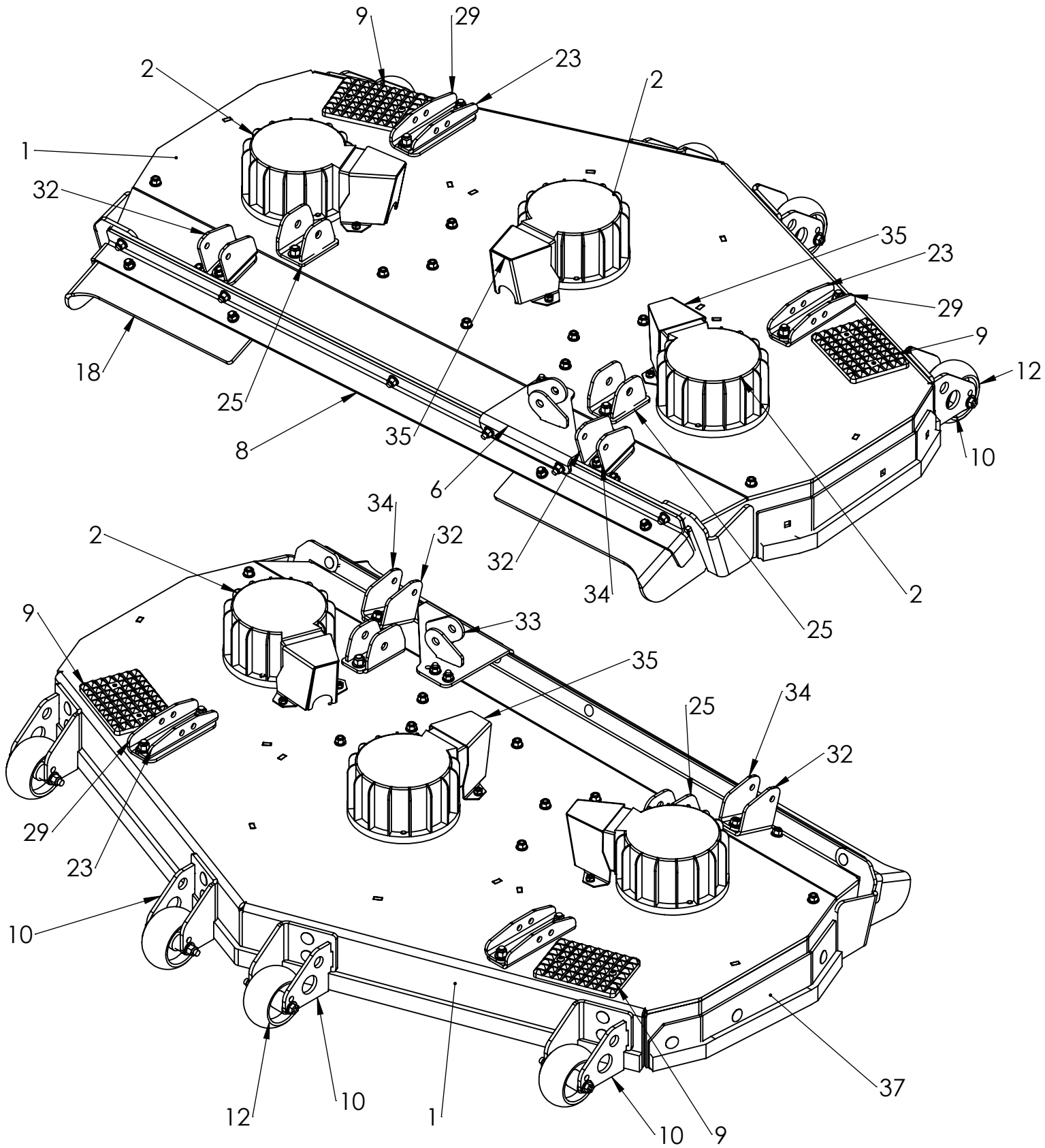


RVL LEFT CONTROLS

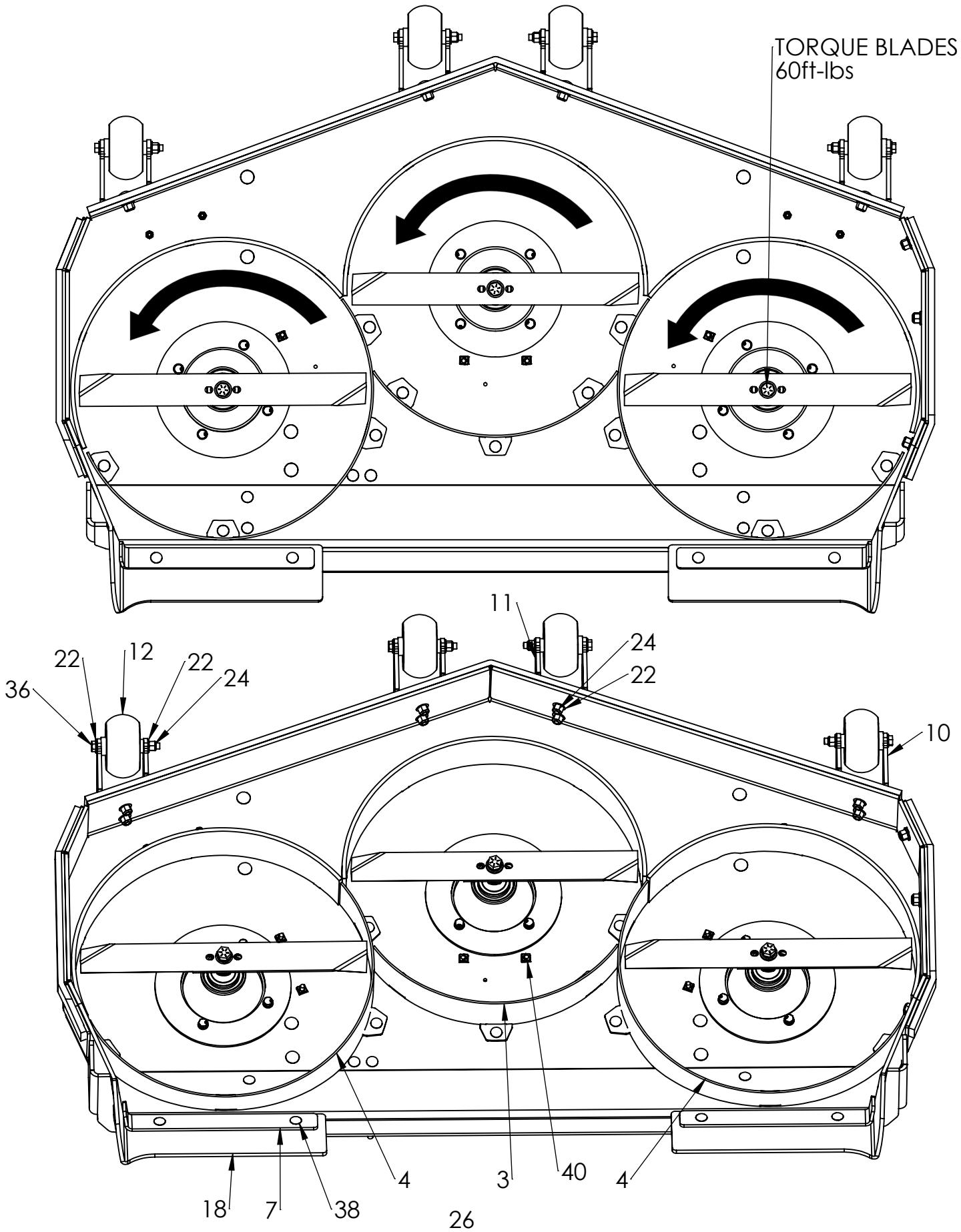
ITEM NO.	PART NUMBER	QTY.	DESCRIPTION
1	MGMUP001	1	RTN MOUNT-LEFT HAND SIDE
2	MGELC068	1	RTN-LEFT HAND SIDE
3	AMGRVL04	1	LEFT HANDLE BASE
4	AMGRVL06	1	CXR HANDLE BAR
5	MGHDW103	4	1/4-20x1-1/4 PT HHCS
6	MGHDW200	10	1/4 FLAT WASHER
7	MGHDW303	6	1/4-20 NYLOCK
8	MGHDW114	1	5/16-18x2.00 PT HHCS, GR8 YZP
9	MGHDW202	4	3/8 FLAT WASHER
10	MGHDW305	1	3/8-16 NYLOCK
11	MGHDW203	2	3/8x1.00 O.D. NYLON FLAT WASHER
12	MGHDW300	1	5/16-18 FLANGE NUT
13	MGHDW109	3	5/16-18x3/4 FT HHCS
14	MGELC019	1	CXR/SK/NXR SAFETY SWITCH GRAY
15	MGHDW163	1	5/16-18x2.00 FT HHCS
16	MGHDW111	1	5/16-18x1-1/4 FT HHCS
17	MGHDW201	21	5/16 FLAT WASHER
18	MGHDW304	8	5/16-18 NYLOCK
19	MGUPN046	2	HYDRO GEAR SPRING ARM
20	MGUPN047	1	HYDRO GEAR SPRING
21	MGHDW302	2	5/16-18 HALF NYLOCK
22	MGHDW110	4	5/16-18x1.00 FT HHCS
23	MGHDW120	2	3/8-16x1.00 FT HHCS
24	MGHDW204	2	3/8 LOCK WASHER
25	MGUPN048	1	DAMPENER FOR CONTROLS
26	MGHDW400	4	5/16x5/8 SHAFT COLLAR
27	MGHDW116	1	5/16-18x2-1/2 PT HHCS
28	MGHDW104	2	1/4-20x1-1/2 PT HHCS, GR8 YZP
29	MGUPN049	1	ZIP TIE
30	MGHDW500	1	#10-32-1/2 PAN HEAD PHILIPS
31	MGUPN147	1	HANDLE BAR GRIPS
32	MGUPN248	1	CONTROL HANDLE BLOCK
33	MGUPN264	1	CONTROL BUSING BLOCK
34	MGRVL074	1	CONTROL MOUNT PLATE

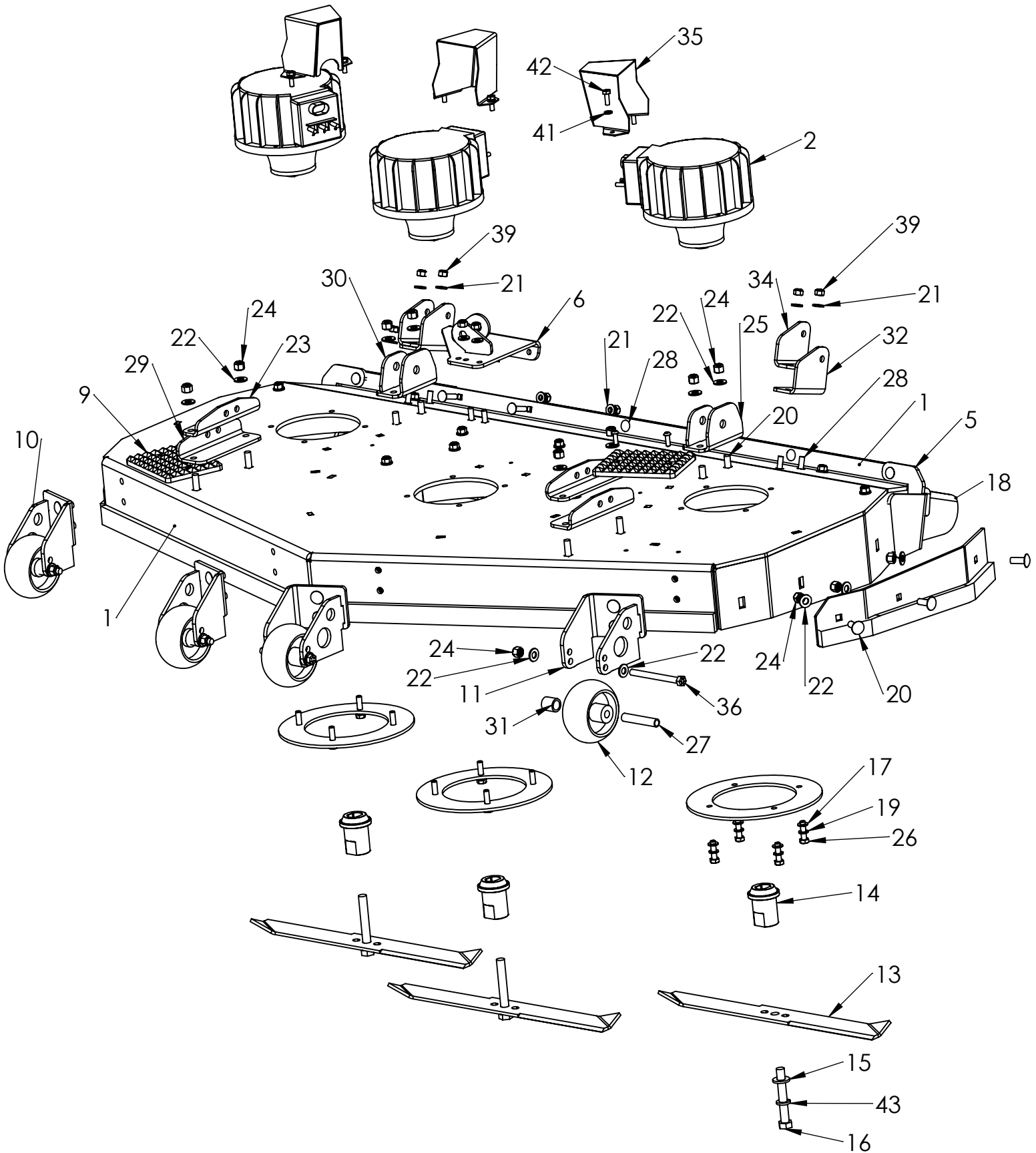


ITEM NO.	PART NUMBER	QTY.	DESCRIPTION
1	MGELC106	1	SAFETY PLUG IN SWITCH
2	MGUPN034	1	CHARGE PORT COVER
3	MGHDW308	4	#10-32 NYLOCK
4	MGELC032	1	ANDERSON CONNECTOR-SB120
5	MGHDW503	2	#10-32x1.00 PAN HEAD PHILIPS
6	MGMUP024	1	CHARGING PORT BRACKET
7	MGHDW315	1	1/4-20x0.093-0.126 CAGE NUT
8	MGHDW506	1	#10-32x5/8 PAN HEAD PHILIPS
9	MGHDW309	1	#8-32x0.93-0.126 CAGE NUT
10	MGHDW218	1	#8 FLAT WASHER
11	MGHDW206	1	#8 LOCK WASHER
12	MGHDW502	1	#8-32x3/4 PHP

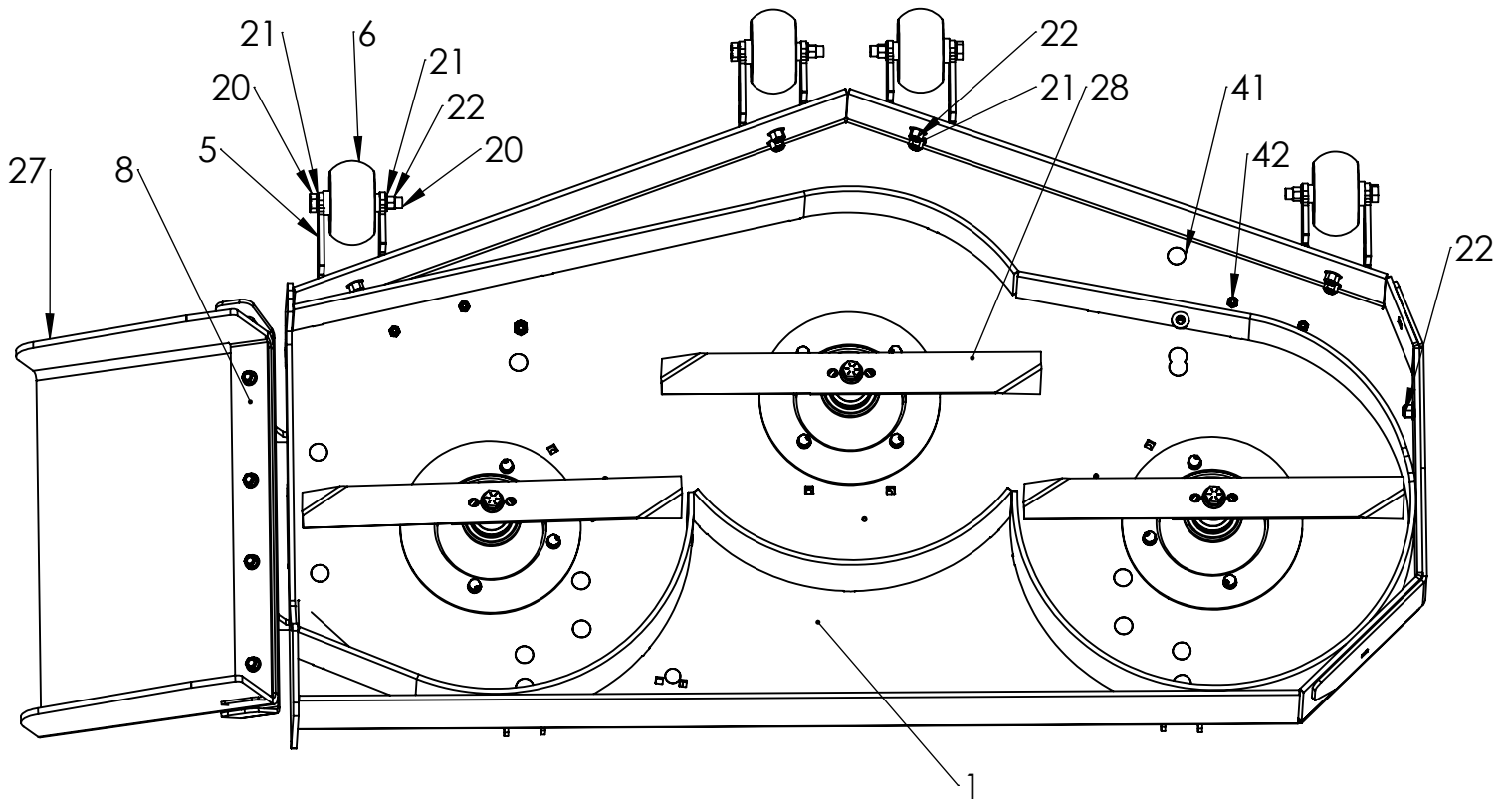
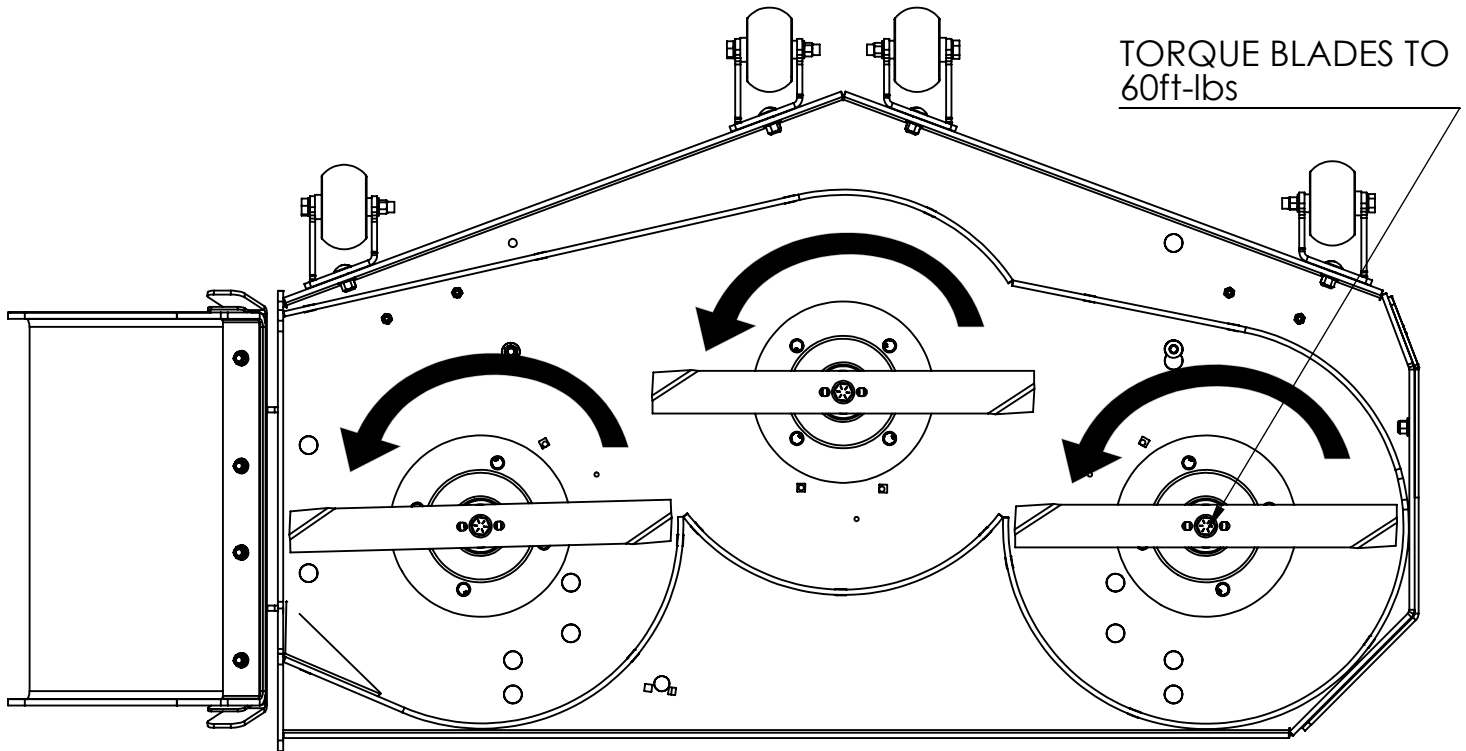


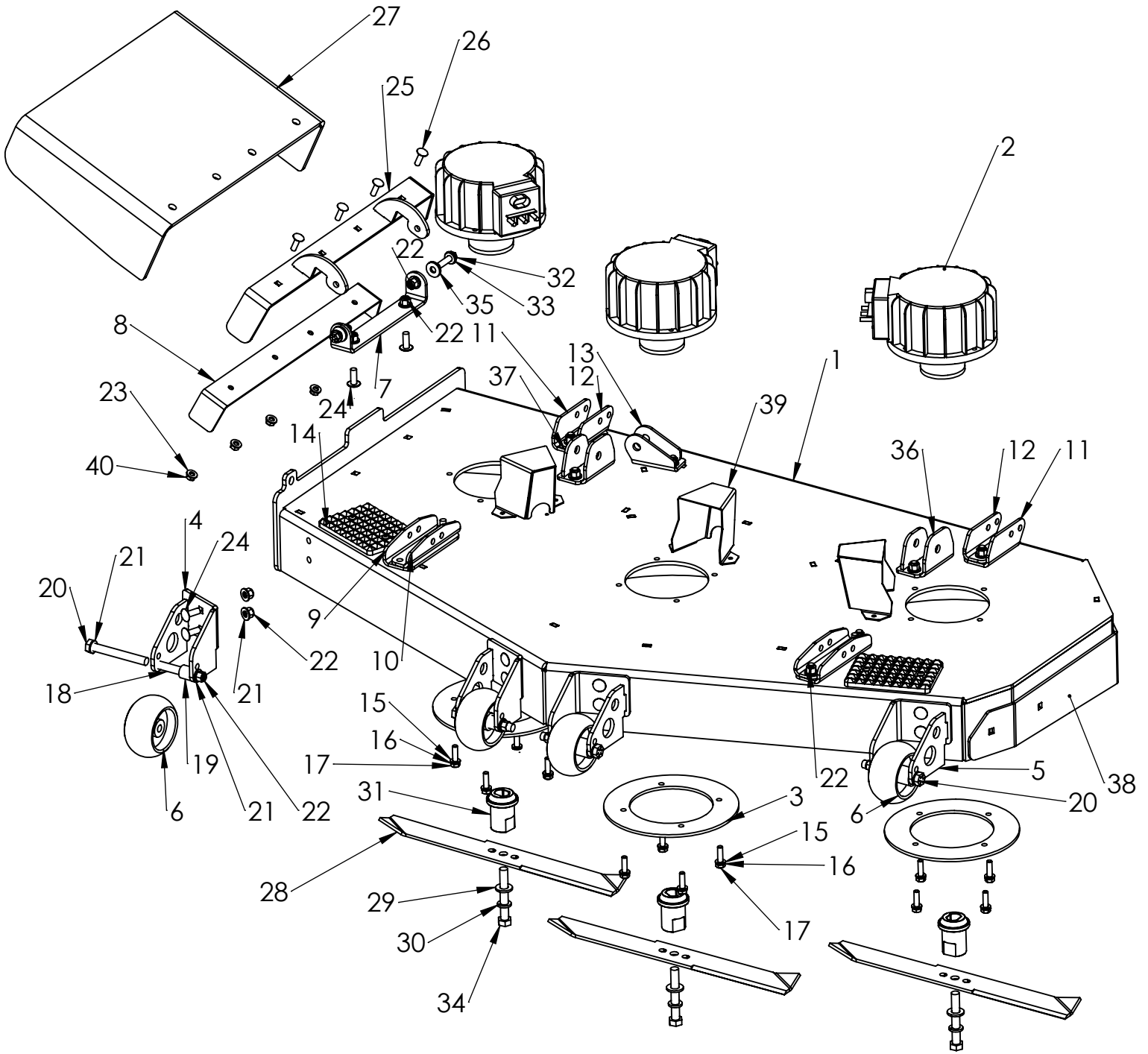
TORQUE BLADES TO
60ft-lbs



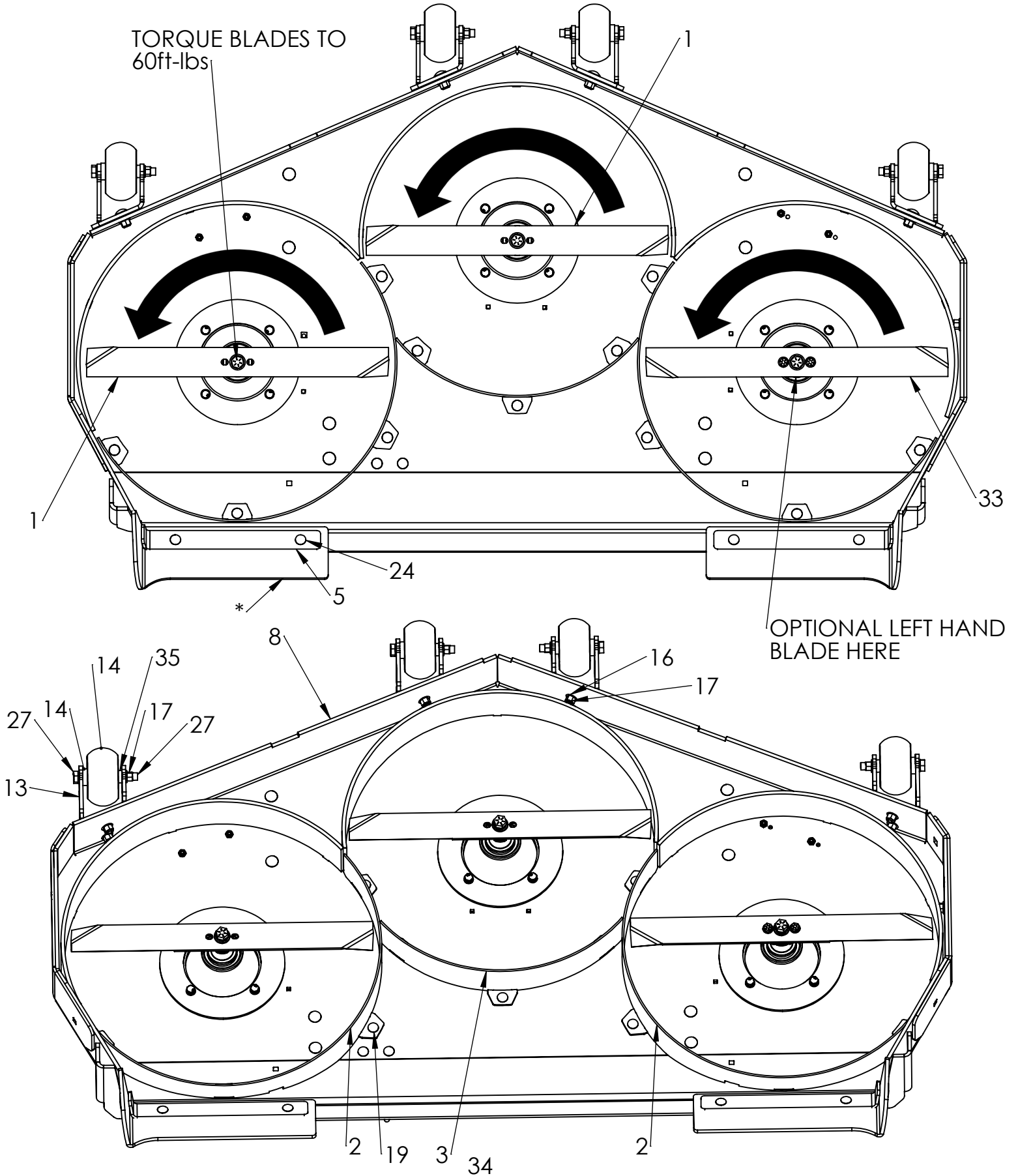


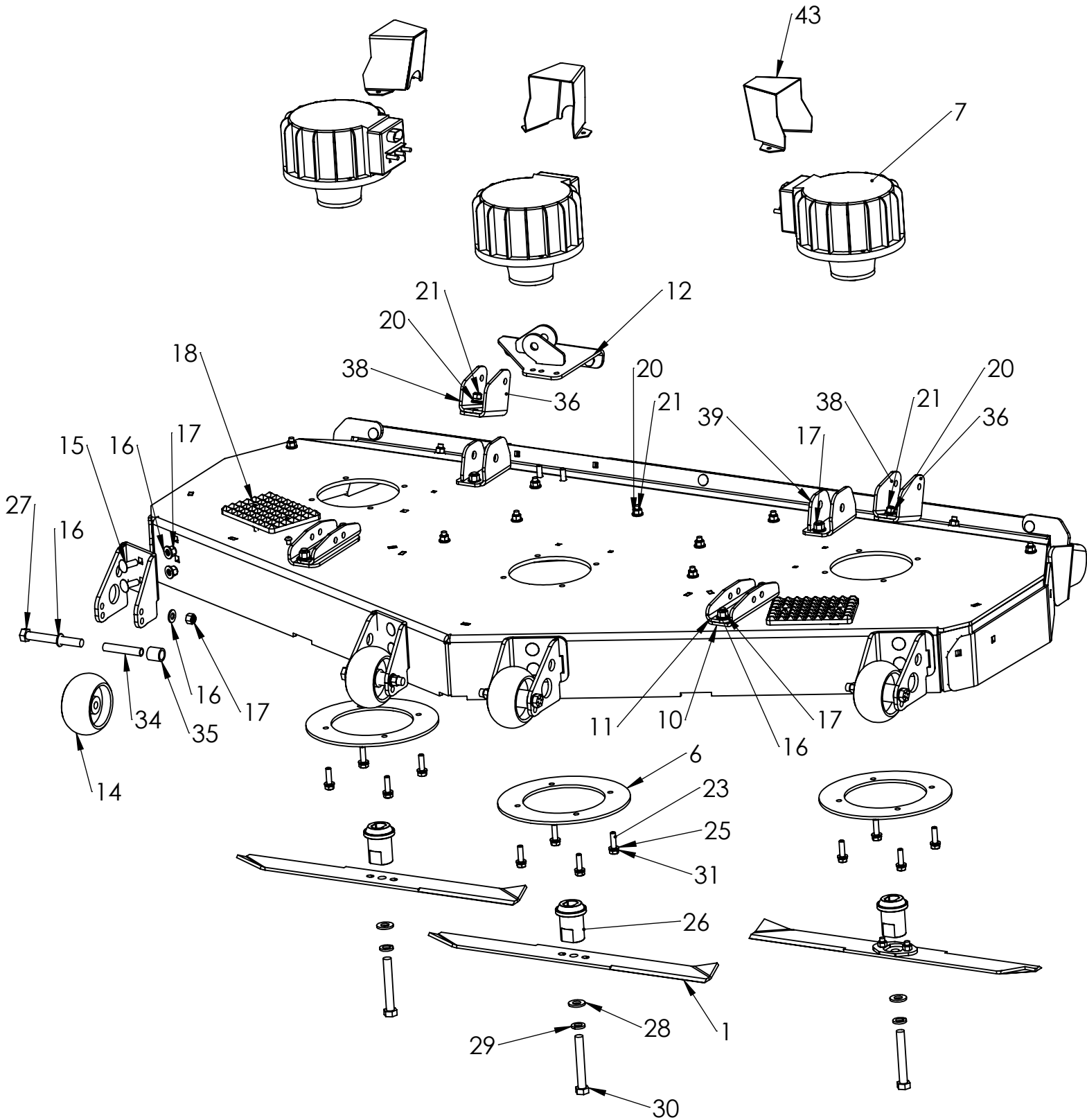
ITEM NO.	PART NUMBER	QTY.	DESCRIPTION
1	MGRVL52R01	1	MAIN DECK
2	MGELC016	3	HG BLADE MOTOR 2KW (SILVER)
3	MGRVL52R08M	1	MULCHING KIT CENTER BAFFLE
4	MGRVL52R07M	2	MULCHING KIT RIGHT/LEFT BAFFLE
5	MGRVL52R05	2	DECK GUSSET
6	MGRVL061	1	CROSS STABILIZER MOUNT BASE TO DECK
7	MGMUP051	2	RUBBER BRACKET CLAMP
8	MGRVL52R06	1	RUBBER BRACKET
9	MGUPN092	2	PLASTIC-DECK STEP
10	MGMUP038	4	ANTI SCALP WHEEL BRACKET
11	MGMUP037	4	ANTI SCALP BRACKET-BENT
12	MGUPN022	4	ANTI-SCALP WHEEL 4"x2"
13	MGUPN103	3	18.00" RH BLADE 0.187" THK-CXR 52
14	MGUPN001	3	BLADE MOTOR ADAPTOR
15	MGHDW210	3	1/2 FLAT WASHER
16	MGHDW151	3	1/2-13x3-1/2 PT HHCS
17	MGHDW219	12	M8 FLAT WASHER
18	MGUPN154	2	52/60 REAR DISCHARGE
19	MGHDW217	12	M8 LOCK WASHER
20	MGHDW703	15	3/8-16x1.00 CB
21	MGHDW201	27	5/16 FLAT WASHER
22	MGHDW202	29	3/8 FLAT WASHER
23	MGRVL060-LH	2	FRONT CHAIN DECK MOUNT-TOP MOUNT
24	MGHDW305	25	3/8-16 NYLOCK
25	MGRVL057	2	DECK STABILIZER MOUNT-BENT
26	MGHDW169	12	M8x1.25x30 HHCS
27	MGUPN173	4	ANTI-SCALP WHEEL SPANNER
28	MGHDW707	19	5/16-18x1.00 CB
29	MGRVL059-LH	2	DECK CHAIN MOUNT
30	MGRVL058	2	STABILIZER DECK MOUNT-WELD TAB
31	MGUPN172	4	PLASTIC ANTI-SCALP WHEEL SPACER
32	MGRVL055	2	REAR DISCHARGE CHAIN MOUNT-BOTTOM
33	MGRVL062	2	CROSS STABILIZER DECK MOUNT TAB
34	MGRVL056	2	REAR DISCHARGE CHAIN MOUNT-TOP
35	AMGEVO74R22	3	WIRE GUARD PLATE
36	MGHDW131	4	3/8-16x4.00 PT HHCS
37	MGRVL52R09	1	SIDE BUMPER
38	MGHDW708	8	5/16-18x1-1/4 CB
39	MGHDW304	27	5/16-18 NYLOCK
40	MGHDW315	6	1/4-20x0.093-0.126 CAGE NUT
41	MGHDW213	6	1/4 LOCK WASHER
42	MGHDW101	6	1/4-20x3/4 FT HHCS
43	MGHDW216	3	1/2" LOCK WASHER





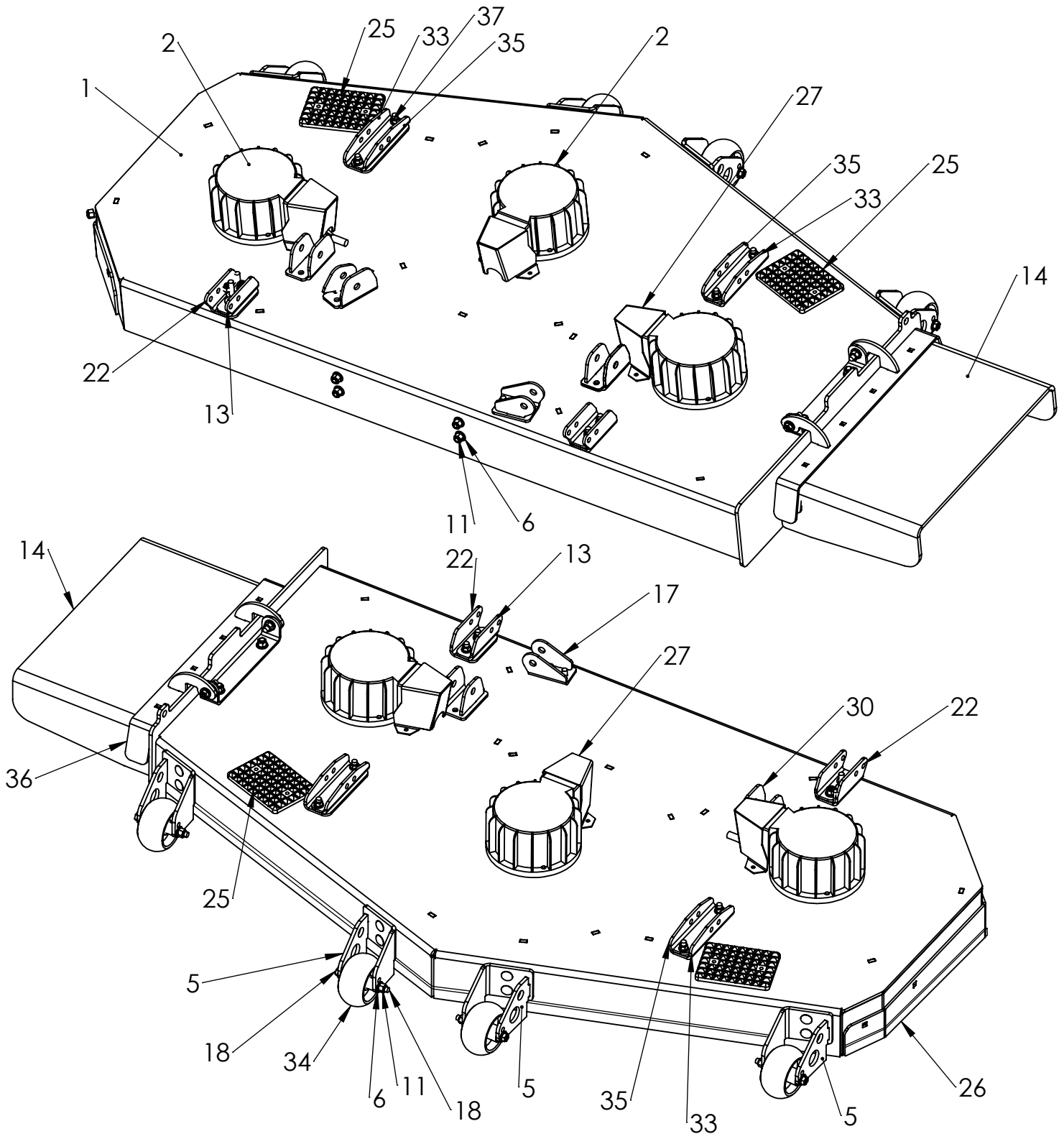
ITEM NO.	PART NUMBER	QTY.	DESCRIPTION
1	AMGRVL52S01	1	MAIN DECK
2	MGELC016	3	HG BLADE MOTOR 2KW (SILVER)
3	MGMUP021	3	MOTOR SUPPORT RING
4	MGMUP037	4	ANTI SCALP BRACKET-BENT
5	MGMUP038	4	ANTI SCALP WHEEL BRACKET
6	MGUPN022	4	ANTI-SCALP WHEEL 4"x2"
7	MGMUP039	1	CHUTE MOUNTING BRACKET
8	MGMUP042	1	OUTTER BOTTOM CHUTE BRACKET
9	MGRVL059-RH	2	FRONT CHAIN DECK MOUNT-BOTTOM
10	MGRVL060-RH	2	FRONT CHAIN DECK MOUNT-TOP MOUNT
11	MGRVL065	3	REAR CHAIN DECK MOUNT-BOTTOM
12	MGRVL066	2	REAR CHAIN DECK MOUNT-TOP
13	MGCXR115	1	CROSS STABILIZER DECK MOUNT TAB
14	MGUPN092	2	PLASTIC-DECK STEP
15	MGHDW219	12	M8 FLAT WASHER
16	MGHDW217	12	M8 LOCK WASHER
17	MGHDW169	12	M8x1.25x30 HHCS
18	MGUPN173	4	ANTI-SCALP WHEEL SPANNER
19	MGUPN172	4	PLASTIC ANTI-SCALP WHEEL SPACER
20	MGHDW153	4	1/2-13x4.00 PT HHCS, GR8 YZP
21	MGHDW202	35	3/8 FLAT WASHER
22	MGHDW305	29	3/8-16 NYLOCK
23	MGHDW201	6	5/16 FLAT WASHER
24	MGHDW703	14	3/8-16x1.00 CB
25	MGMUP041	1	OUTTER TOP CHUTE BRACKET
26	MGHDW707	6	5/16-18x1.00 CB
27	MGUPN059	1	CHUTE-52/60 SIDE DISCHARGE
28	MGUPN103	3	18.00" RH BLADE 0.187" THK-CXR 52
29	MGHDW210	3	1/2 FLAT WASHER
30	MGHDW216	3	1/2" LOCK WASHER
31	MGUPN001	3	BLADE MOTOR ADAPTOR
32	MGHDW123	2	3/8-16x1-1/2 PT HHCS
33	MGHDW214	4	3/8x3/4x0.065 NYLON WASHER
34	MGHDW151	3	1/2-13x3-1/2 PT HHCS
35	MGHDW203	4	3/8x1.00 O.D. NYLON FLAT WASHER
36	MGRVL057	2	DECK STABILIZER MOUNT-BENT
37	MGRVL058	2	STABILIZER DECK MOUNT-WELD TAB
38	MGRVL52S08	1	SIDE BUMPER
39	AMGEVO74R22	3	WIRE GUARD PLATE
40	MGHDW319	4	3/16-18 TOP LOCK

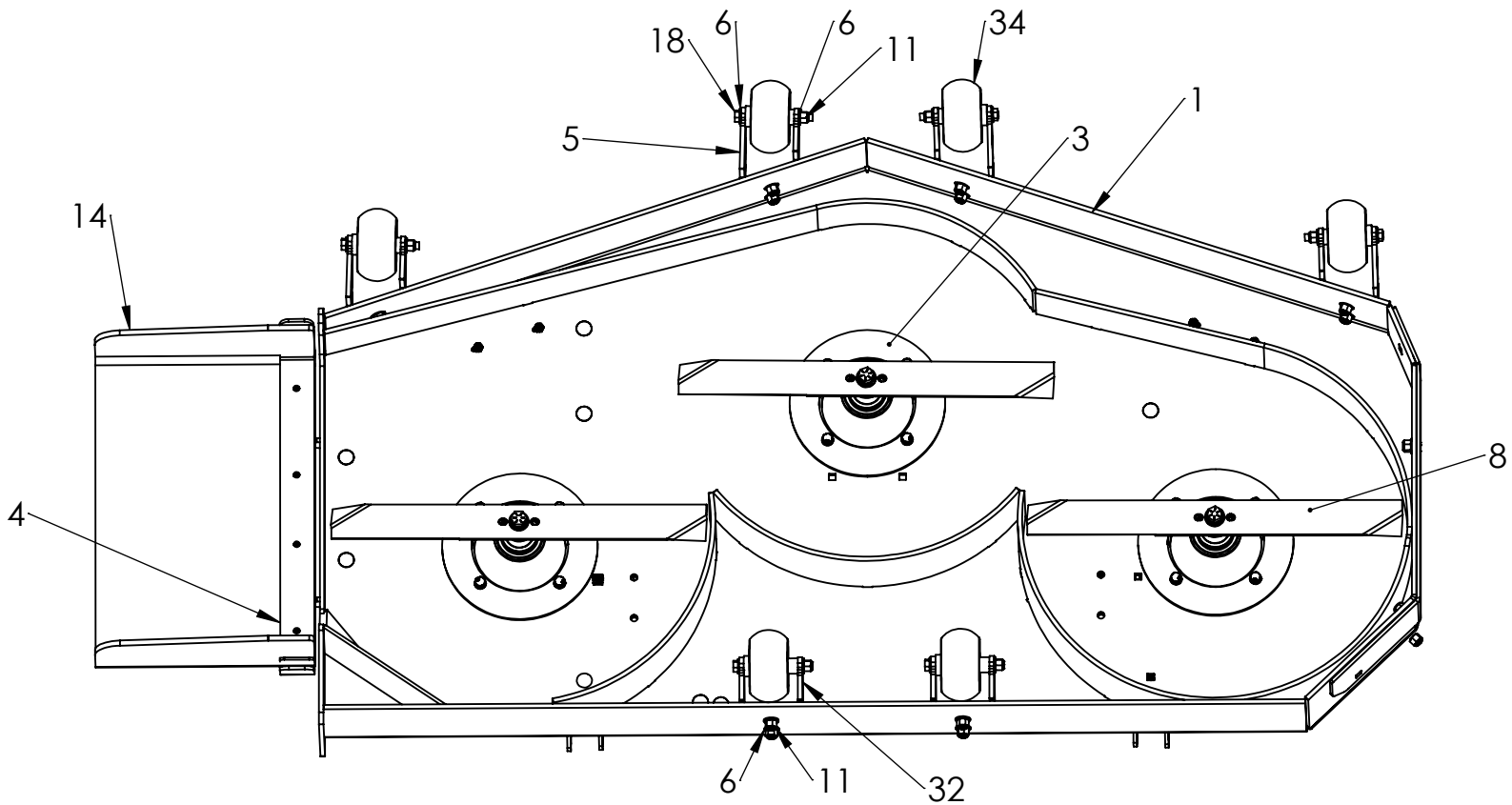
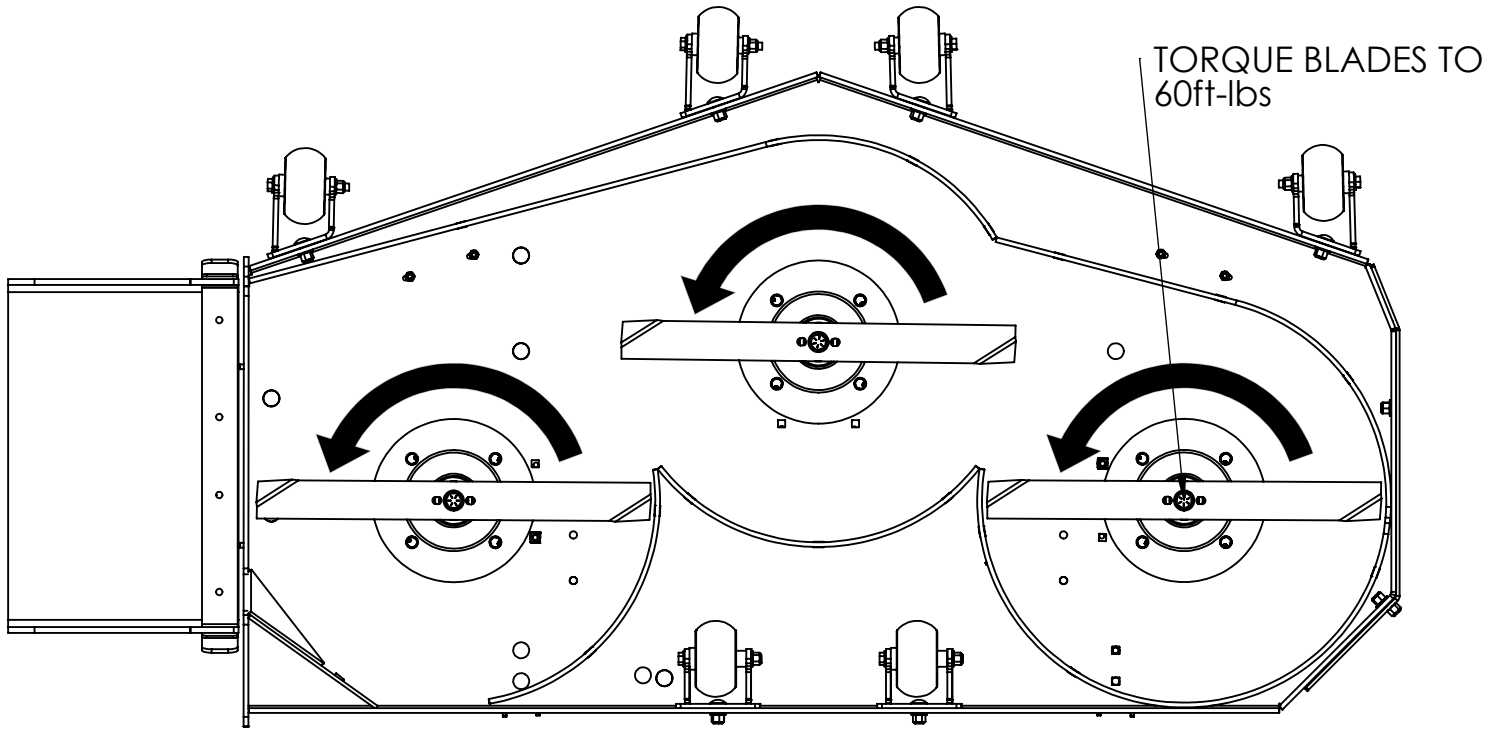


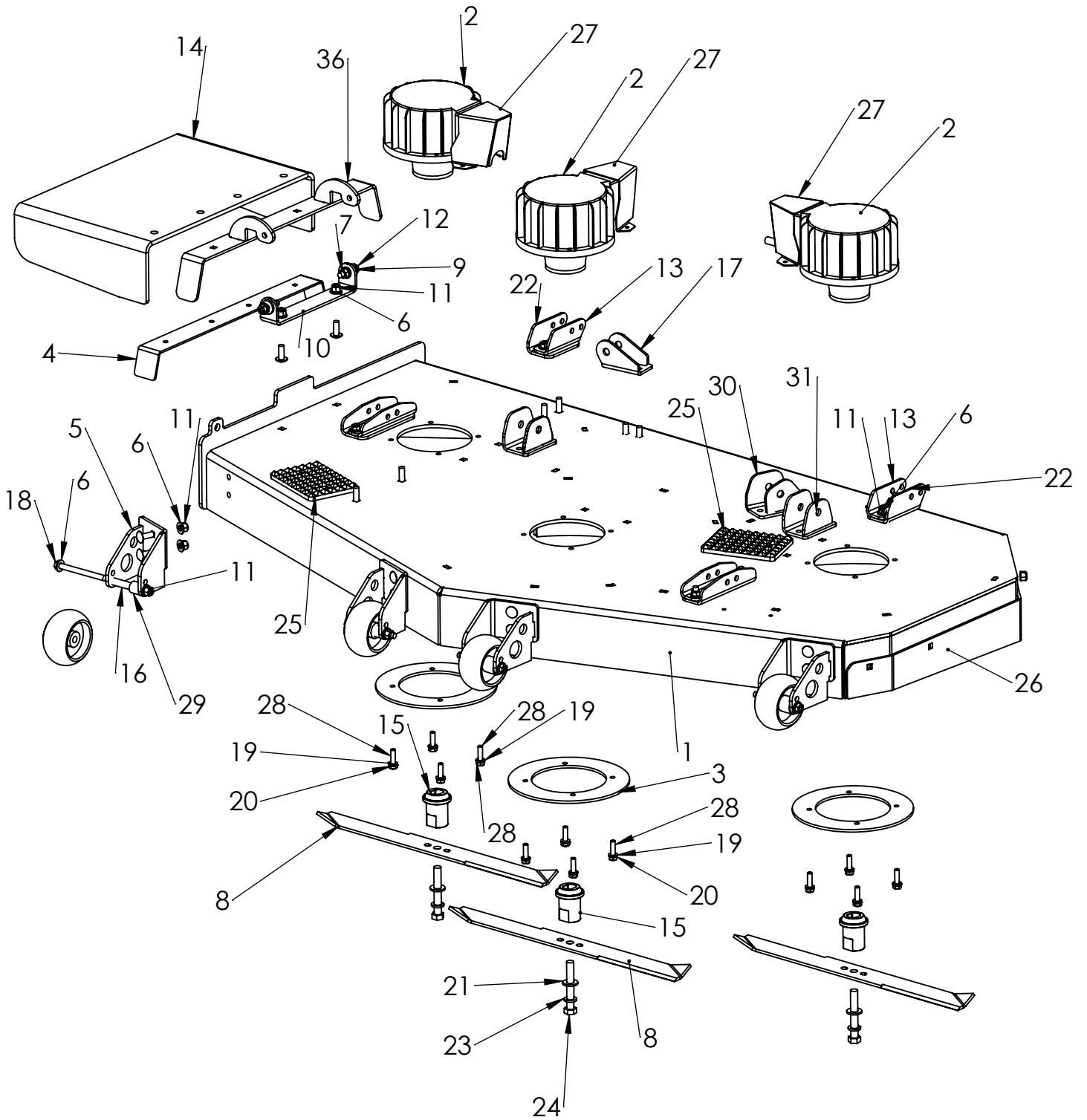


60RD DECK

ITEM NO.	PART NUMBER	QTY.	DESCRIPTION
1	MGUPN107	2	20.60" RH BLADE 0.187" THK-CXR 60/RWB 52
2	MGRVL60R08M	2	60RD-REAR SIDE MULCH BAFFLE
3	MGRVL60R07M	1	60RD-REAR MIDDLE MULCH BAFFLE
4	MGRVL60R06	1	60RD-RUBBER BRACKET
5	MGMUP051	2	RUBBER BRACKET CLAMP
6	MGMUP021	3	MOTOR SUPPORT RING
7	MGELC016	3	HG BLADE MOTOR 2KW (SILVER)
8	MGRVL60R01	1	MIAN DECK-60RD
9	MGRVL60R04	2	RIVAL 60RD-GUSSET
10	MGRVL059-RH	2	FRONT CHAIN DECK MOUNT-BOTTOM
11	MGRVL060-RH	2	FRONT CHAIN DECK MOUNT-TOP MOUNT
12	MGRVL061	1	CROSS STABILIZER MOUNT BASE TO DECK
13	MGCXR60R11	6	ANTI SCALP BRACKET WELD TAB
14	MGUPN022	4	ANTI-SCALP WHEEL 4"x2"
15	MGHDW703	16	3/8-16x1.00 CB
16	MGHDW202	29	3/8 FLAT WASHER
17	MGHDW305	25	3/8-16 NYLOCK
18	MGUPN092	2	PLASTIC-DECK STEP
19	MGHDW707	25	5/16-18x1.00 CB
20	MGHDW201	33	5/16 FLAT WASHER
21	MGHDW304	33	5/16-18 NYLOCK
22	MGHDW605	4	1/4-20x3/4 BSCS
23	MGHDW169	12	M8x1.25x30 HHCS
24	MGHDW708	8	5/16-18x1-1/4 CB
25	MGHDW219	12	M8 FLAT WASHER
26	MGUPN001	3	BLADE MOTOR ADAPTOR
27	MGHDW153	4	1/2-13x4.00 PT HHCS, GR8 YZP
28	MGHDW210	3	1/2 FLAT WASHER
29	MGHDW216	3	1/2" LOCK WASHER
30	MGHDW151	3	1/2-13x3-1/2 PT HHCS
31	MGHDW217	12	M8 LOCK WASHER
32	MGUPN154	1	52/60 REAR DISCHARGE
33	MGUPN108	1	20.60" LH BLADE 0.187" THK-CXR 60
34	MGUPN173	4	ANTI-SCALP WHEEL SPANNER
35	MGUPN172	4	PLASTIC ANTI-SCALP WHEEL SPACER
36	MGRVL055	2	REAR DISCHARGE CHAIN MOUNT-BOTTOM
37	MGRVL057	2	DECK STABILIZER MOUNT-BENT
38	MGRVL056	2	REAR DISCHARGE CAHIN MOUNT-TOP
39	MGRVL058	2	STABILIZER DECK MOUNT-WELD TAB
40	MGRVL062	2	CROSS STABILIZER DECK MOUNT TAB
41	MGRVL60R10	1	MOWER DECK SIDE BUMPERS
42	MGHDW705	4	3/8-16x1.25 CB
43	AMGEVO74R22	3	WIRE GUARD PLATE

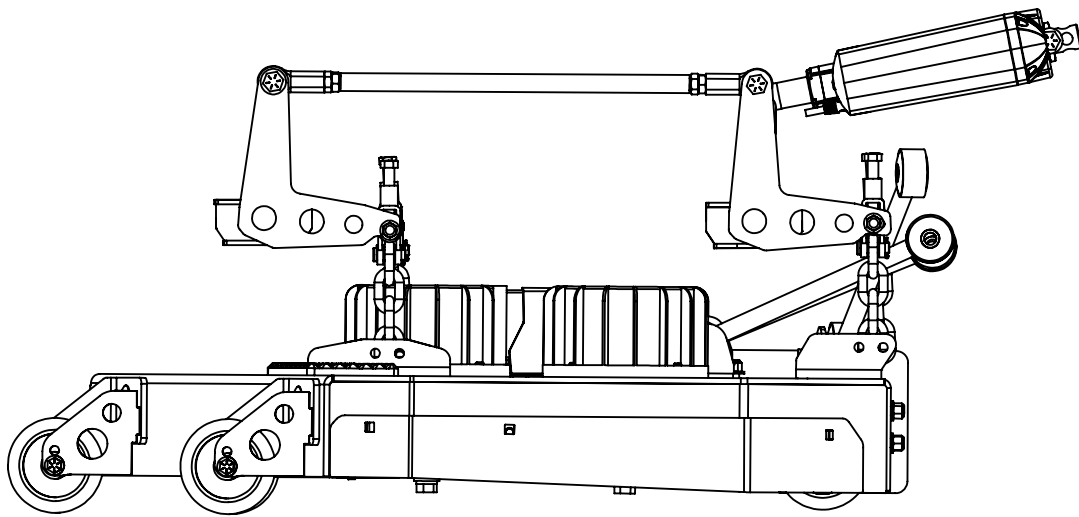
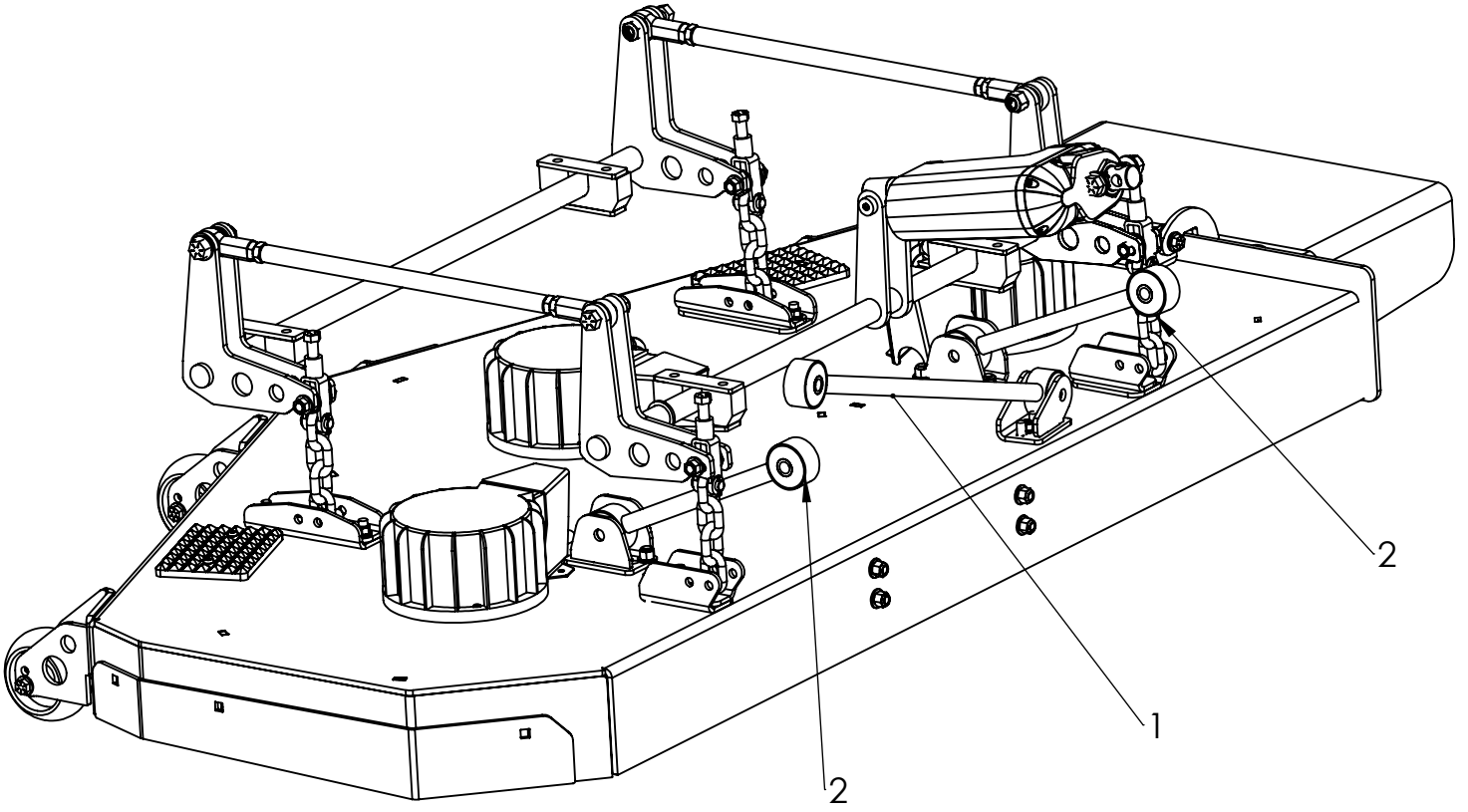


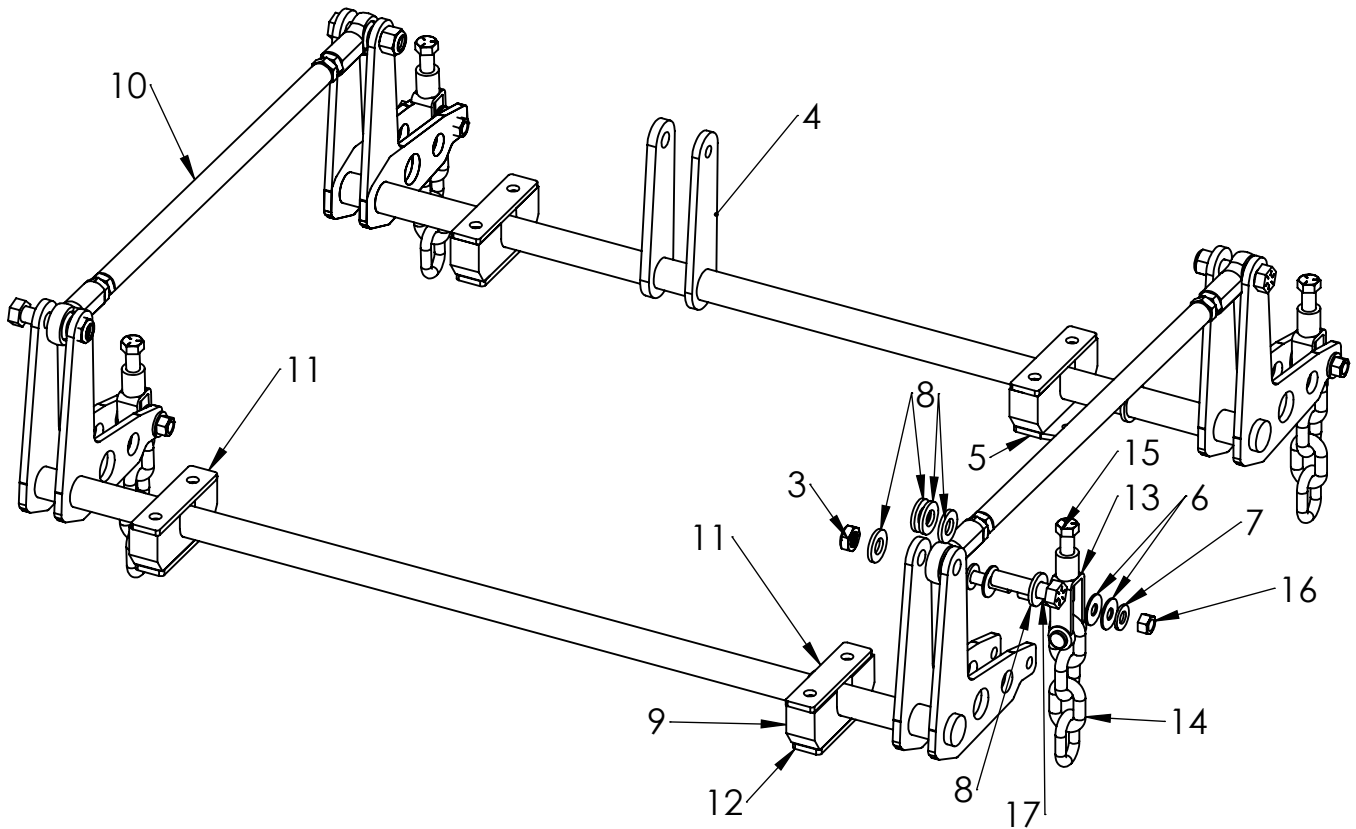




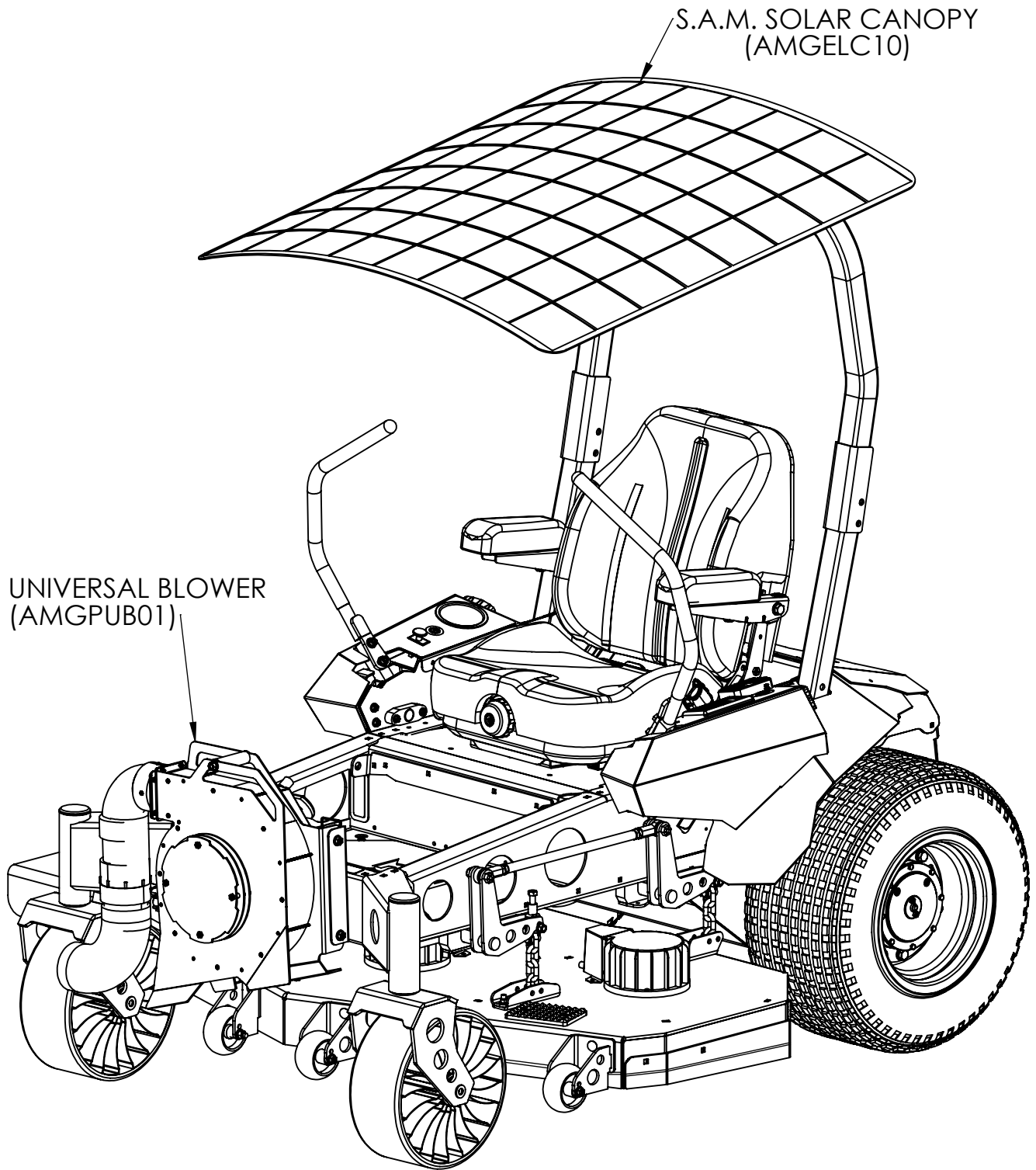
60SD DECK

ITEM NO.	PART NUMBER	QTY.	DESCRIPTION
1	MGRVL60S01	1	MAIN DECK-60SD
2	MGELC016	3	HG BLADE MOTOR 2KW (SILVER)
3	MGMUP021	3	MOTOR SUPPORT RING
4	MGMUP042	1	OUTTER BOTTOM CHUTE BRACKET
5	MGMUP038	4	ANTI SCALP WHEEL BRACKET
6	MGHDW202	38	3/8 FLAT WASHER
7	MGHDW317	2	3/8-16 TOP LOCK
8	MGUPN107	3	20.60" RH BLADE 0.187" THK-CXR 60/RWB 52
9	MGHDW214	4	3/8x3/4x0.065 NYLON WASHER
10	MGMUP039	1	CHUTE MOUNTING BRACKET
11	MGHDW305	29	3/8-16 NYLOCK
12	MGHDW123	2	3/8-16x1-1/2 PT HHCS
13	MGRVL066	2	REAR CHAIN DECK MOUNT-TOP
14	MGUPN059	1	CHUTE-52/60 SIDE DISCHARGE
15	MGUPN001	3	BLADE MOTOR ADAPTOR
16	MGUPN173	6	ANTI-SCALP WHEEL SPANNER
17	MGRVL60S12	1	CROSS STABILIZER DECK MOUNT TAB
18	MGHDW131	6	3/8-16x4.00 PT HHCS
19	MGHDW219	12	M8 FLAT WASHER
20	MGHDW217	12	M8 LOCK WASHER
21	MGHDW210	3	1/2 FLAT WASHER
22	MGRVL065	2	REAR CHAIN DECK MOUNT-BOTTOM
23	MGHDW216	3	1/2" LOCK WASHER
24	MGHDW151	3	1/2-13x3-1/2 PT HHCS
25	MGUPN092	2	PLASTIC-DECK STEP
26	MGRVL60S10	1	DECK SIDE BUMPER
27	AMGEVO74R22	3	WIRE GUARD PLATE
28	MGHDW169	12	M8x1.25x30 HHCS
29	MGUPN172	6	PLASTIC ANTI-SCALP WHEEL SPACER
30	MGRVL057	4	DECK STABILIZER MOUNT-BENT
31	MGRVL058	4	STABILIZER DECK MOUNT-WELD TAB
32	MGMUP007	4	SCALP BRACKET
33	MGRVL059-RH	2	FRONT CHAIN DECK MOUNT-BOTTOM
34	MGUPN022	6	ANTI-SCALP WHEEL 4"x2"
35	MGRVL060-RH	2	FRONT CHAIN DECK MOUNT-TOP MOUNT
36	MGMUP041	1	OUTTER TOP CHUTE BRACKET
37	MGHDW304	8	5/16-18 NYLOCK



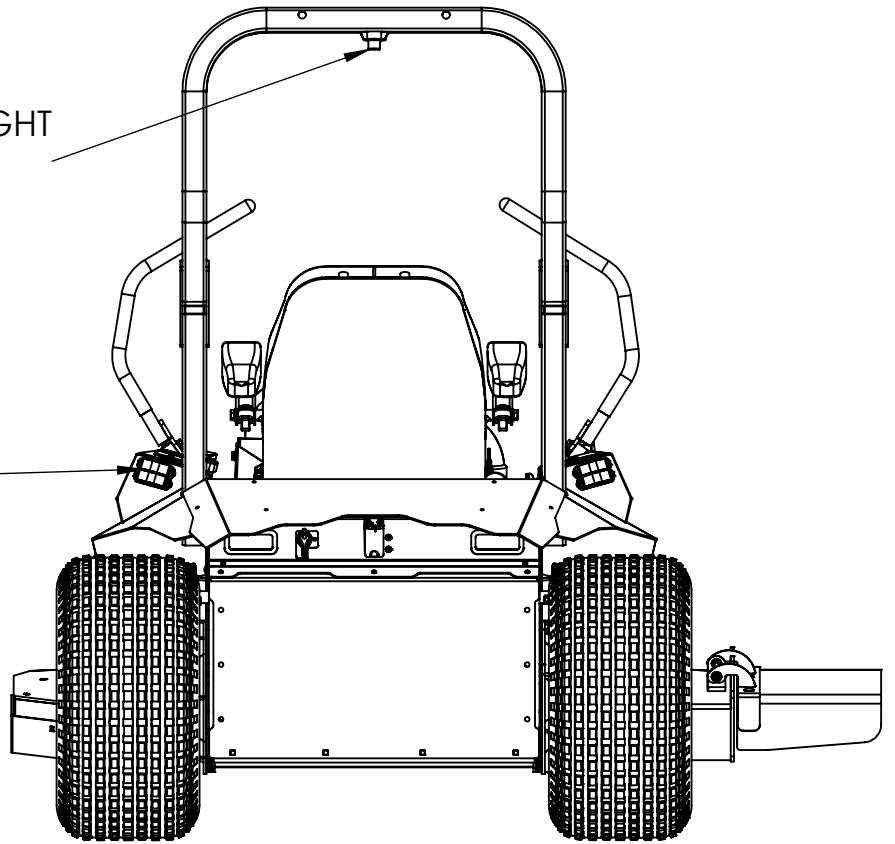


ITEM NO.	PART NUMBER	QTY.	DESCRIPTION
1	MGUPN125	1	STABILIZER ARM-22"
2	MGUPN124	2	STABILIZER ARM-13-5/8
3	MGHDW314	1	1/2-13 HALF NYLOCK
4	MGRVL028	1	ACTUATOR ARM
5	MGRVL048	1	PILLOW BLOCK SPACER-TOP
6	MGHDW203	16	3/8 X 1 OD NYLON WASHER
7	MGHDW202	47	3/8 FLAT WASHER
8	MGHDW210	10	1/2 FLAT WASHER
9	MGUPN086	4	PLASTIC PILLOW BLOCK-1" LIFT ARM
10	AMGRVL12	2	RIVAL STABILIZER BAR
11	MGRVL072	4	REAR PILLOW BLOCK SPACER
12	MGMUP031	3	PILLOW BLOCK SPACER-TOP
13	MGUPN123	4	7/16"-20 Thread, 2-7/8" Shank Center Length
14	MGUPN130	4	5/16 GRADE 30-4 LINK
15	MGHDW170	4	7/16-20x2-1/2 FT HHCS
16	MGHDW305	4	3/8-16 NL YZ
17	MGHDW145	4	1/2-13x2.00 PT HHCS, GR8 YZP

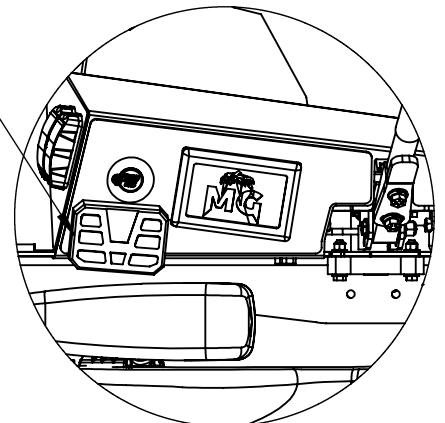
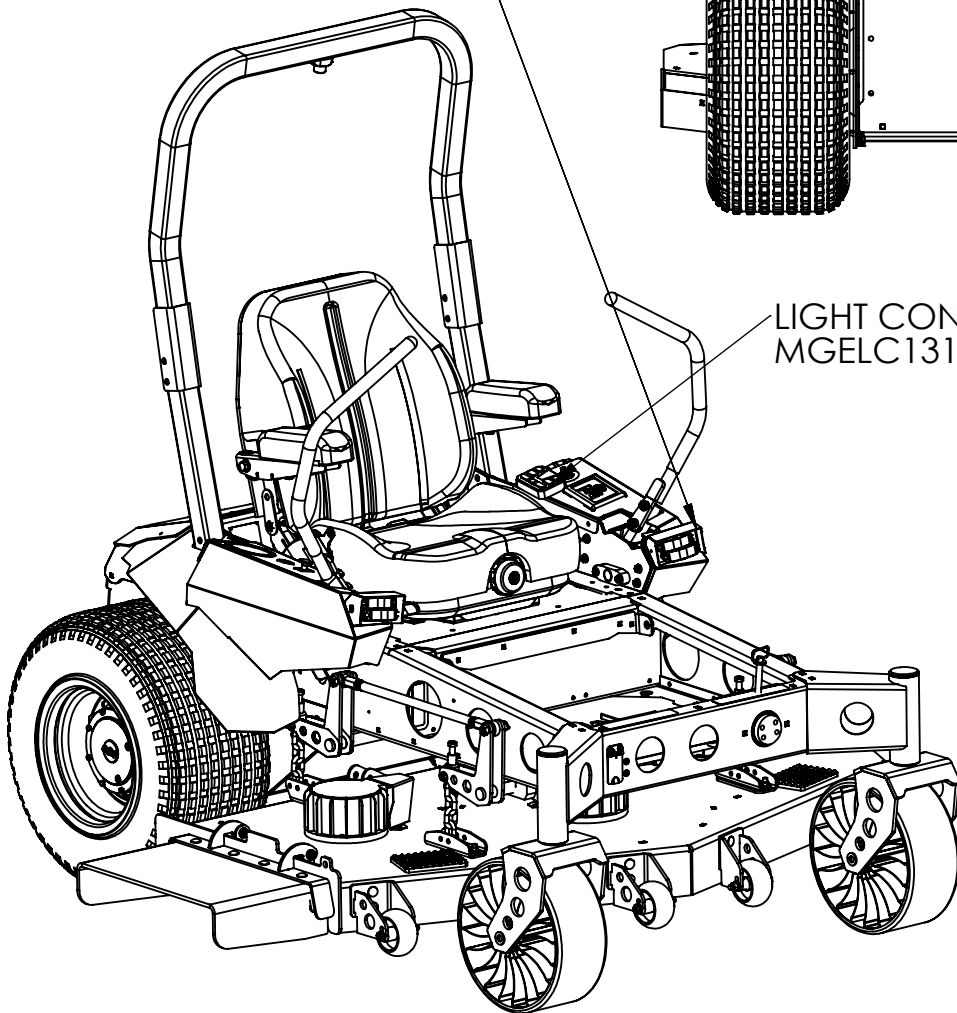


AMBER BEACON LIGHT
(MGELC131-2)

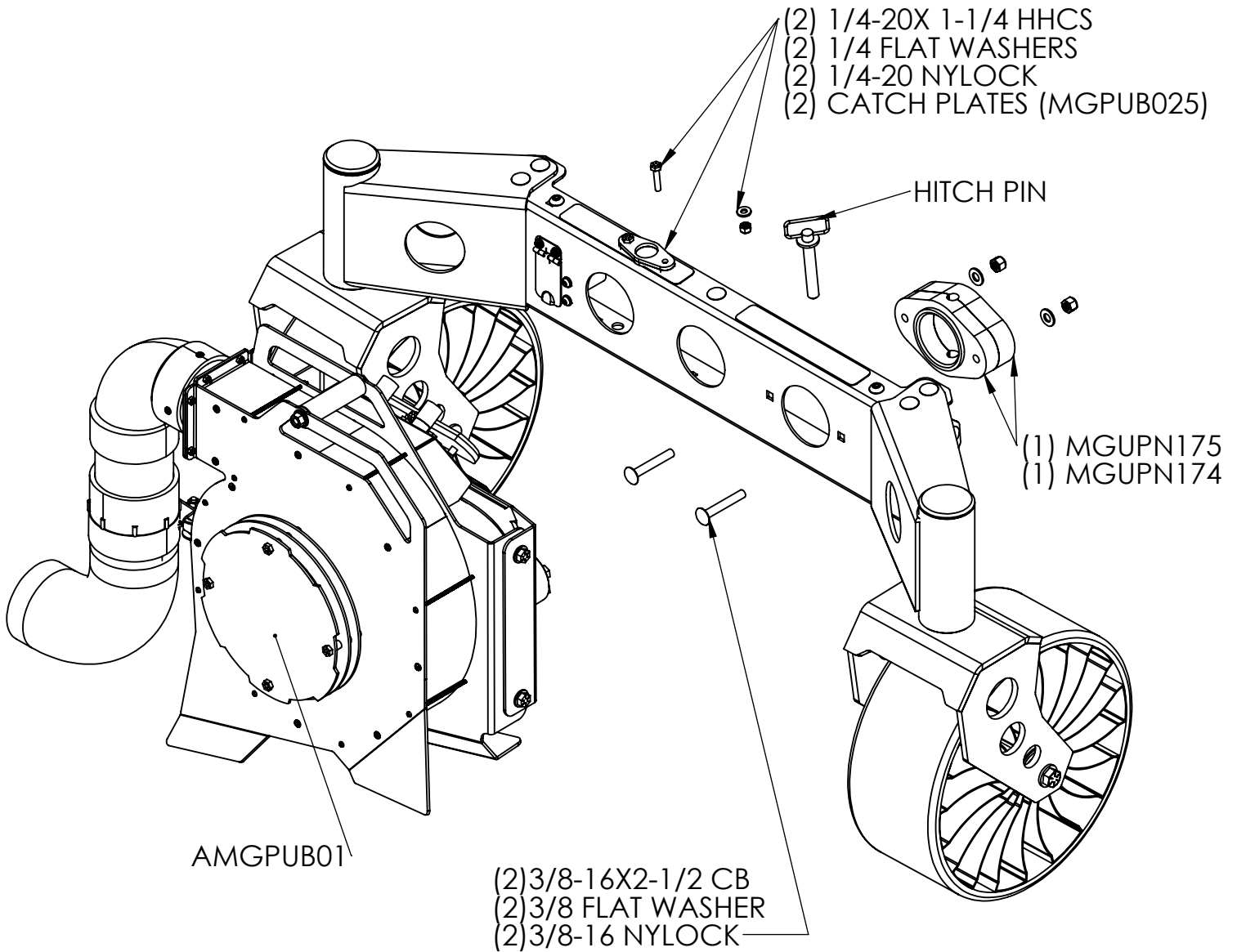
RVL LIGHT KIT
(AMGRVL21)
(AMGRVL22)
(AMGELC31)

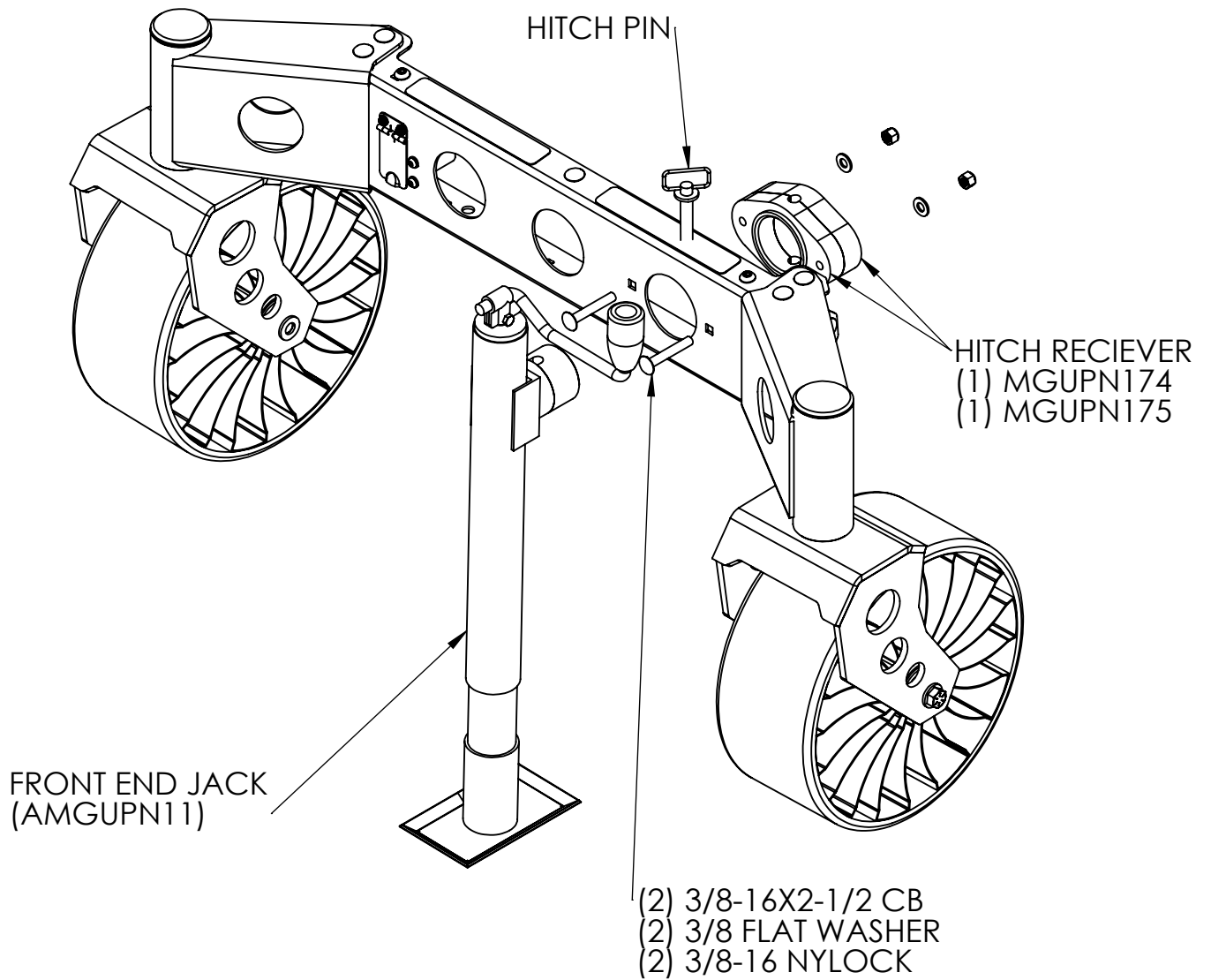


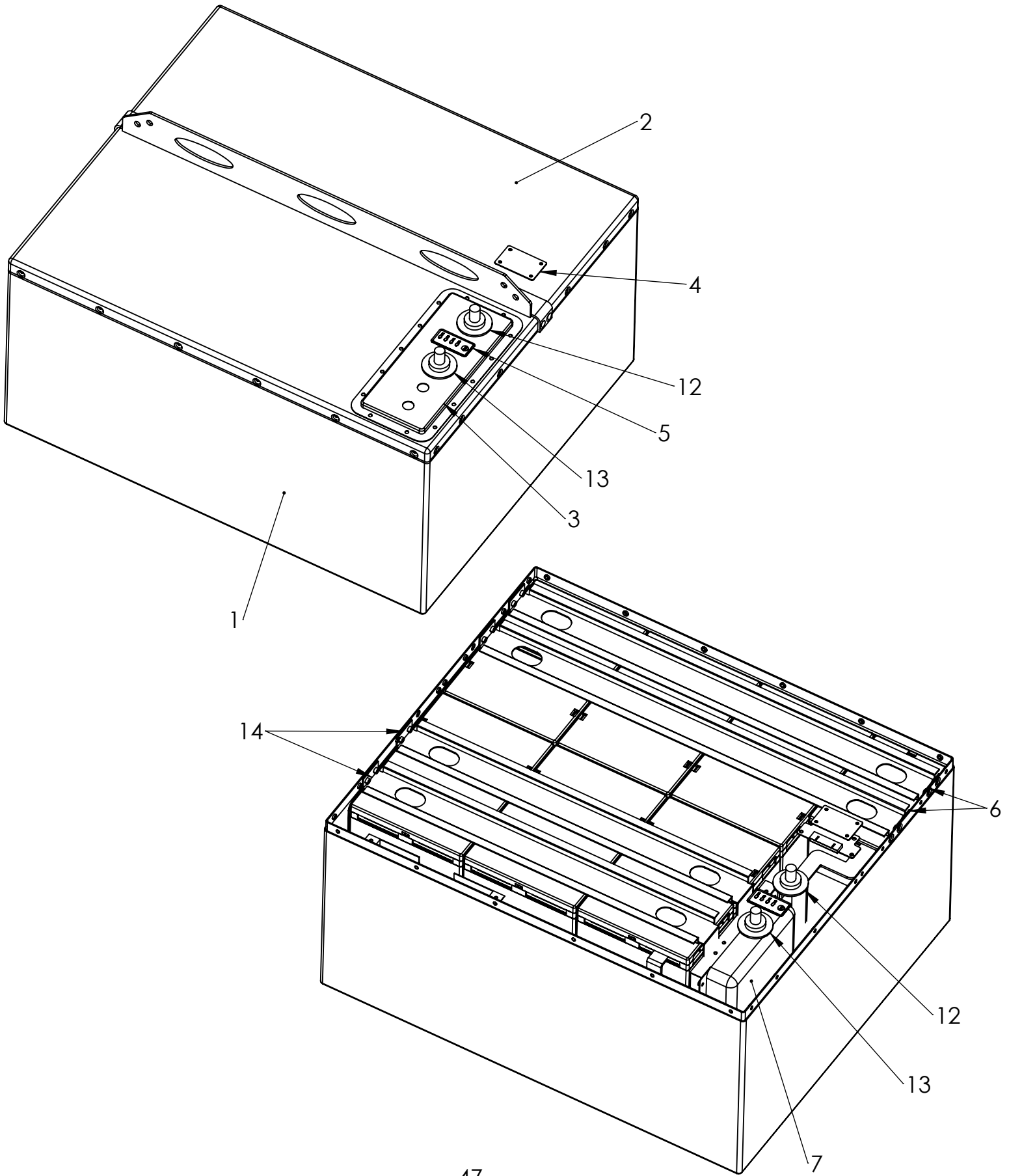
LIGHT CONTROLER
MGELC131-01

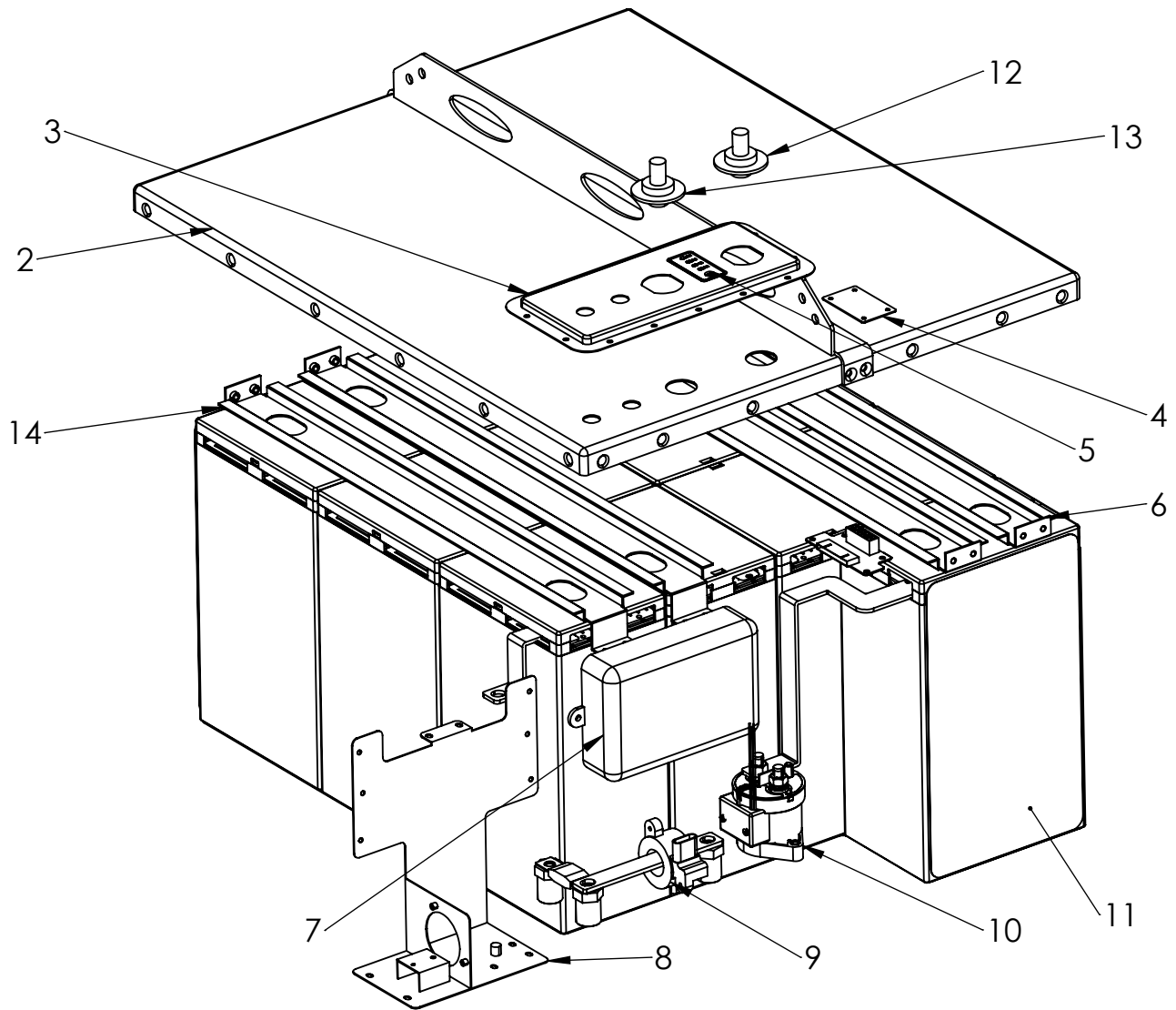


LEFT CONTROL PANEL









ITEM NO.	PART NUMBER	QTY.	DESCRIPTION
1	MGBAT001-1	1	RVL BATTERY BOX
2	MGBAT002-1	1	RVL TOP COVER
3	MGBAT003-1	1	RVL ACCESS COVER
4	MGBAT004-1	1	TEST PORT COVER
5	MGBAT005	1	SOC INDICATOR DECAL
6	MGBAT006-1	2	RVL BATTERY HOLD DOWN BRACKET 2
7	MGBAT007-1	1	RVL BMS
8	MGBAT008-1	1	RVL BMS BRACKET
9	MGBAT009	1	CURRENT SENSOR
10	MGBAT010	1	CONTACTOR
11	MGBAT011	1	BATTERY MODULE
12	MGBAT012	1	POWER LUG +
13	MGBAT013	1	POWER LUG -
14	MGBAT014-1	2	RVL BATTERY HOLD DOWN BRACKET 1